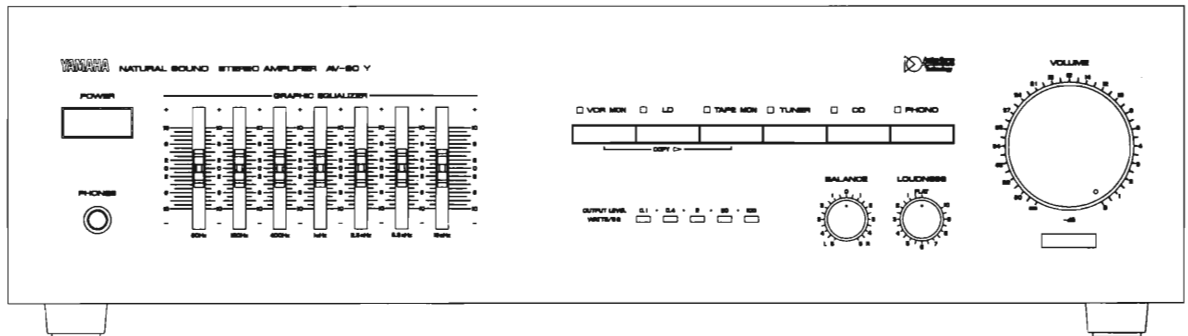


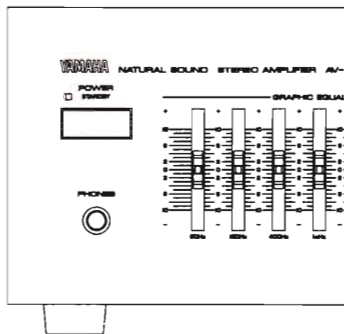
STEREO AMPLIFIER

AV-80Y

SERVICE MANUAL



H model only



IMPORTANT NOTICE

This manual has been provided for the use of authorized YAMAHA Retailers and their service personnel. It has been assumed that basic service procedures inherent to the industry, and more specifically YAMAHA Products, are already known and understood by the users, and have therefore not been restated.

WARNING: Failure to follow appropriate service and safety procedures when servicing this product may result in personal injury, destruction of expensive components and failure of the product to perform as specified. For these reasons, we advise all YAMAHA product owners that all service required should be performed by an authorized YAMAHA Retailer or the appointed service representative.

IMPORTANT: The presentation or sale of this manual to any individual or firm does not constitute authorization, certification or recognition of any applicable technical capabilities, or establish a principle-agent relationship of any form.

The data provided is believed to be accurate and applicable to the unit(s) indicated on the cover. The research, engineering, and service departments of YAMAHA are continually striving to improve YAMAHA products. Modifications are, therefore, inevitable and specifications are subject to change without notice or obligation to retrofit. Should any discrepancy appear to exist, please contact the distributor's Service Division.

WARNING: Static discharges can destroy expensive components. Discharge any static electricity your body may have accumulated by grounding yourself to the ground buss in the unit (heavy gauge black wires connect to this buss).

IMPORTANT: Turn the unit OFF during disassembly and parts replacement. Recheck all work before you apply power to the unit.

CONTENTS

TO SERVICE PERSONNEL	1	PRINTED CIRCUIT BOARD	8~14
REAR PANELS	1~2	INTERCONNECT WIRING DIAGRAM	15
SPECIFICATIONS	3	μ-COM DATA	16
BLOCK DIAGRAM	4~5	WAVEFORM OF TEST POINT	17
INTERNAL VIEW	6	SCHEMATIC DIAGRAM	18~19
DISASSEMBLY PROCEDURES	6~7	PARTS LIST	20~27
ADJUSTMENTS	7	REMOTE CONTROL TRANSMITTER	28

100380

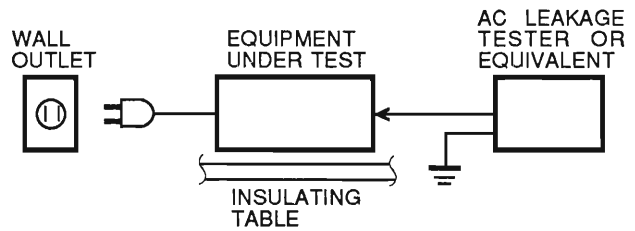
YAMAHA
YAMAHA CORPORATION
PO Box 1, Hamamatsu, Japan

1.4k-346 Printed in Japan. '91.2

AV-80Y

■ TO SERVICE PERSONNEL

1. Critical Components Information.
Components having special characteristics are marked and must be replaced with parts having specifications equal to those originally installed.
2. Leakage Current Measurement (For 120V Model Only).
When service has been completed, it is imperative that you verify that all exposed conductive surfaces are properly insulated from supply circuits.
 - Meter impedance should be equivalent to 1500 ohm shunted by 0.15 μ F.
 - Leakage current must not exceed 0.5mA.
 - Be sure to test for leakage with the AC plug in both polarities.



● **POLARIZATION (U, C models only)**

This amplifier product is equipped with a polarized alternating-current line plug (a plug having one blade wider than the other). This plug will fit into the power outlet only one way. This is a safety feature.

WARNING: CHEMICAL CONTENT NOTICE!

The solder used in the production of this product contains LEAD. In addition, other electrical/electronic and/or plastic (where applicable) components may also contain traces of chemicals found by the California Health and Welfare Agency (and possibly other entities) to cause cancer and/or birth defects or other reproductive harm.

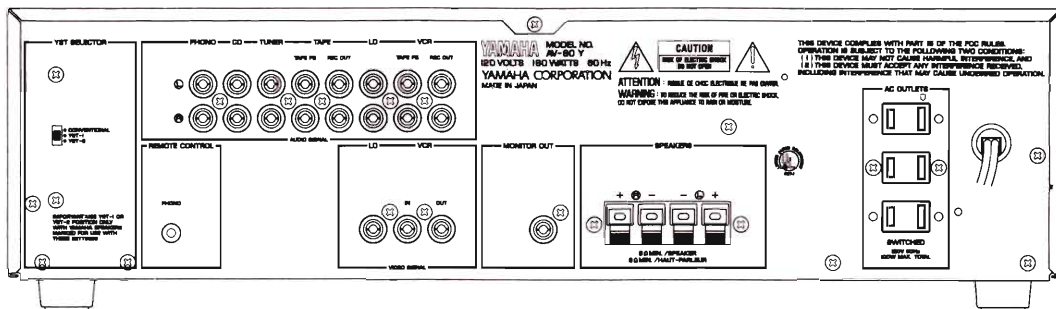
DO NOT PLACE SOLDER, ELECTRICAL/ELECTRONIC OR PLASTIC COMPONENTS IN YOUR MOUTH FOR ANY REASON WHATSOEVER!

Avoid prolonged, unprotected contact between solder and your skin! When soldering, do not inhale solder fumes or expose eyes to solder/flux vapor!

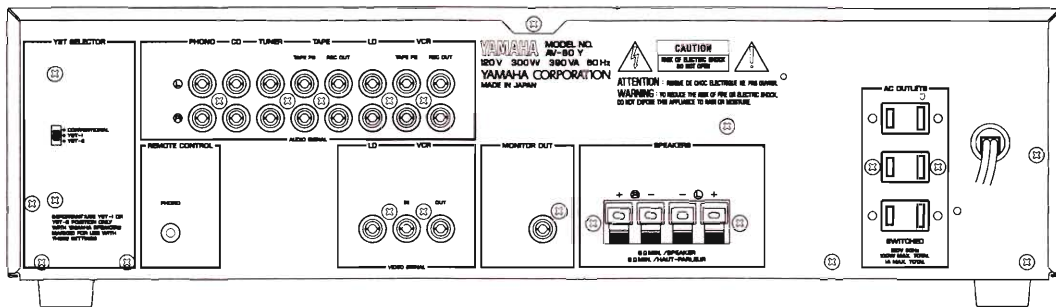
If you come in contact with solder or components located inside the enclosure of this product, wash your hands before handling food.

■ REAR PANELS

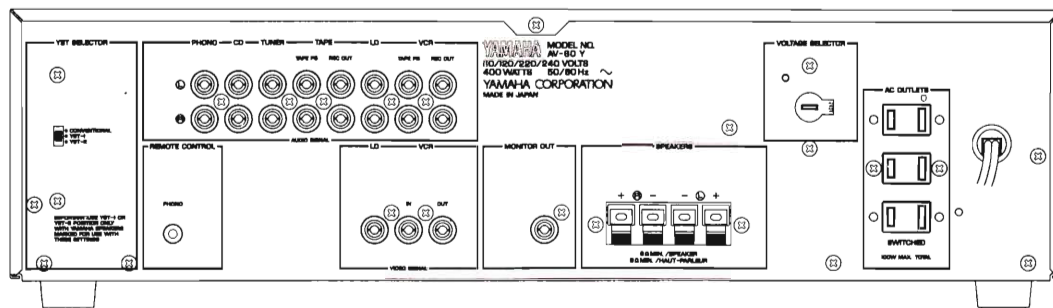
▼ U model



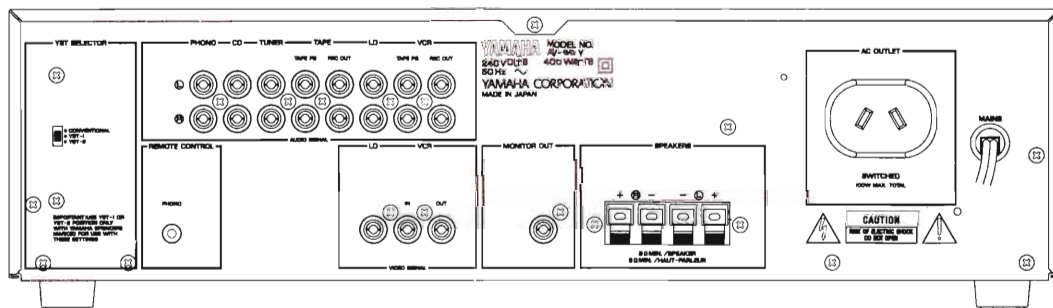
▼ C model



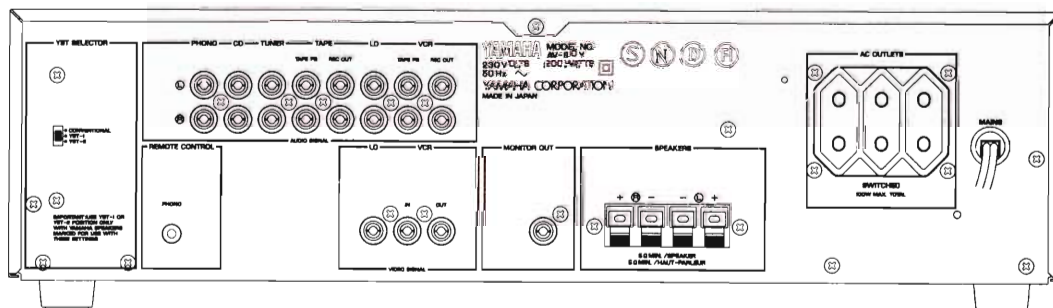
▼ R model



▼ A model



▼ H model



■ SPECIFICATIONS

■ AUDIO SECTION

Minimum RMS Output Power Per Channel		
20Hz~20kHz, 0.15% THD, 8Ω		100W (U, C)
	0.3% THD, 8Ω	70W (R, A)
	0.3% THD, 8Ω	55W (H)
Dynamic Power Per Channel (by IHF Dynamic Headroom measuring method)		
8Ω		145W (U, C)
		90W (R, A)
		60W (H)
6Ω		180W (U, C)
		100W (R, A)
		75W (H)
Dynamic Headroom		
8Ω		1.6dB (U, C)
IEC Power		
1kHz, 0.1% THD, 8Ω/6Ω		60W/70W (H)
Damping Factor		
1kHz, 8Ω		50
Input Sensitivity/Impedance		
Phono MM		2.5mV/47kΩ
CD etc.		150mV/47kΩ
Input Sensitivity (New IHF)		
Phono MM		0.25mV
CD etc.		15mV
Maximum-Input Signal		
1kHz, 0.02% THD, Phono MM		80mV
Output Level/Impedance		
Rec Out		150mV/1.4kΩ
Headphone Jack Rated Output/Impedance		
0.1% THD, RL=8Ω		180mV/150Ω (U, C)
		220mV/100Ω (R, A)
		180mV/100Ω (H)
Frequency Response		
20Hz~20kHz, CD etc.		-0.5dB±0.5dB
RIAA Equalization Deviation		
Phono MM		0dB±0.5dB
Total Harmonic Distortion (20Hz~20kHz)		
Phono MM to Rec Out, 3V		0.1%
CD etc to Speaker Out, 50W/8Ω		0.05% (U, C)
	35W/8Ω	0.1% (R, A)
	22W/8Ω	0.1% (H)
Signal to Noise Ratio (IHF-A-Network)		
Phono MM (5mV Input Shorted)		79dB
CD etc. (Shorted)		92dB
Residual Noise (IHF-A-Network)		
		200μV
Channel Separation (Vol. -30dB)		
Phono MM input shorted 1kHz/10kHz		55dB/50dB
CD etc input 5.1kΩ terminated 1kHz/10kHz		55dB/50dB
Graphic Equalizer		
Control Frequency	60Hz, 150Hz, 400Hz, 1kHz, 2.5kHz, 6.3kHz, 16kHz	
Boost/Cut		±10dB
Continuous Loudness Control (Level related equalization)		
Attenuation		-20dB (1kHz)
Gain tracking error (0dB~60dB)		3dB

■ VIDEO SECTION

Video Signal	
Input/Output	1Vp-p/75Ω

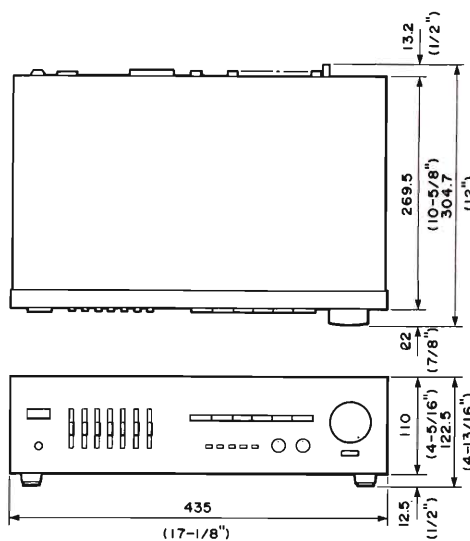
■ GENERAL

Power Supply	
U, C models	AC120V, 60Hz
A model	AC240V, 50Hz
H model	AC230V, 50Hz
R model	AC110/120/220/240V, 60/50Hz
Power Consumption	
U model	180W
C model	390VA/300W
A model	400W
C model	200W
A model	400W
AC Outlet	
Switched x 3 (U, R, H)	100W max. (Total)
Switched x 1 (A)	100W max.
Switched x 3 (C)	100W max. (Total)
	1A max. (Total)
Dimensions (WxHxD)	435 x 122.5 x 304.7 mm (17-1/8" x 4-13/16" x 12")
Weight	7.4kg (16 lbs 5 oz)

*Specifications subject to change without notice.

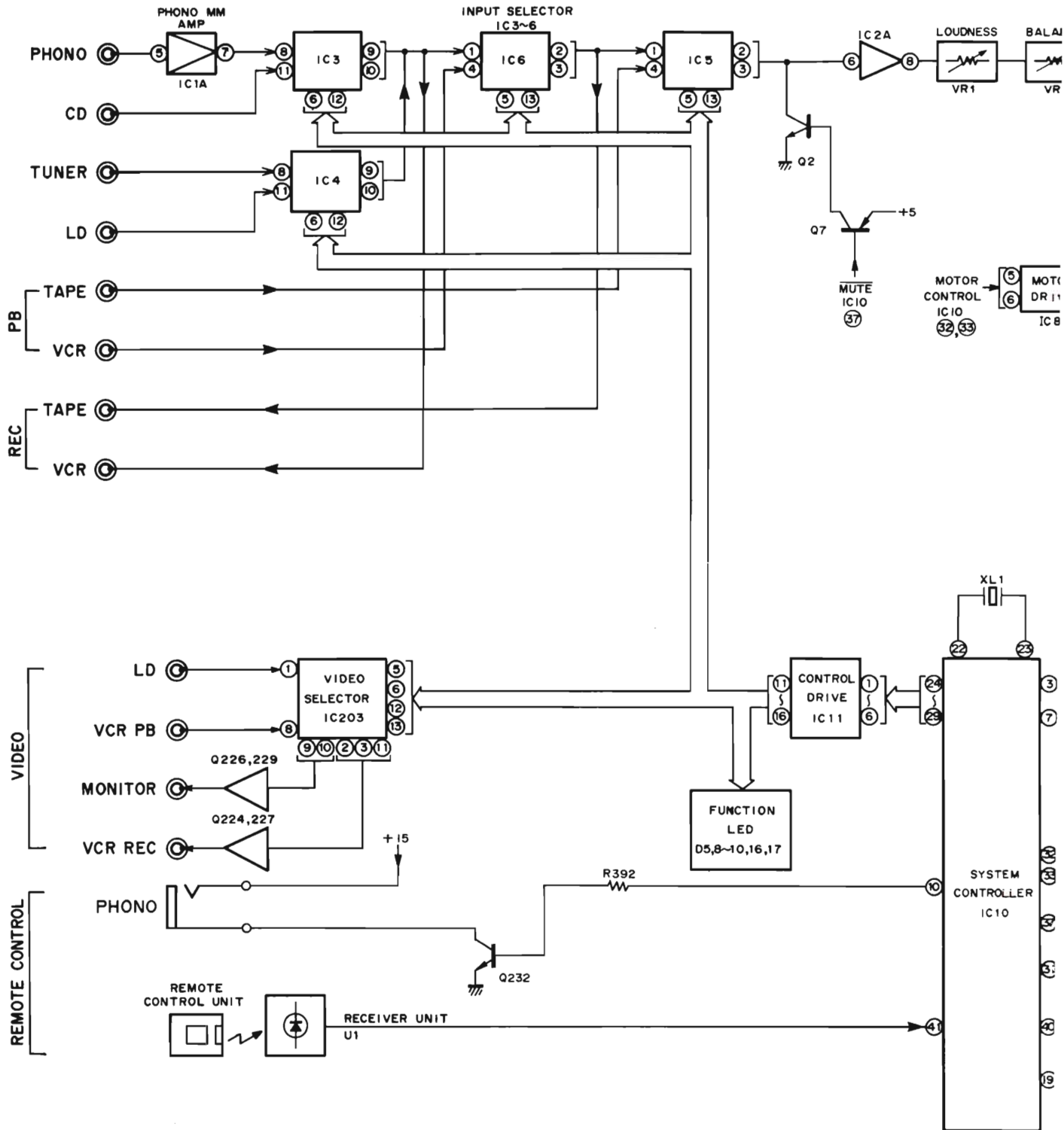
- C Canadian model
- U U. S. A. model
- A Australian model
- H North European model
- R General model

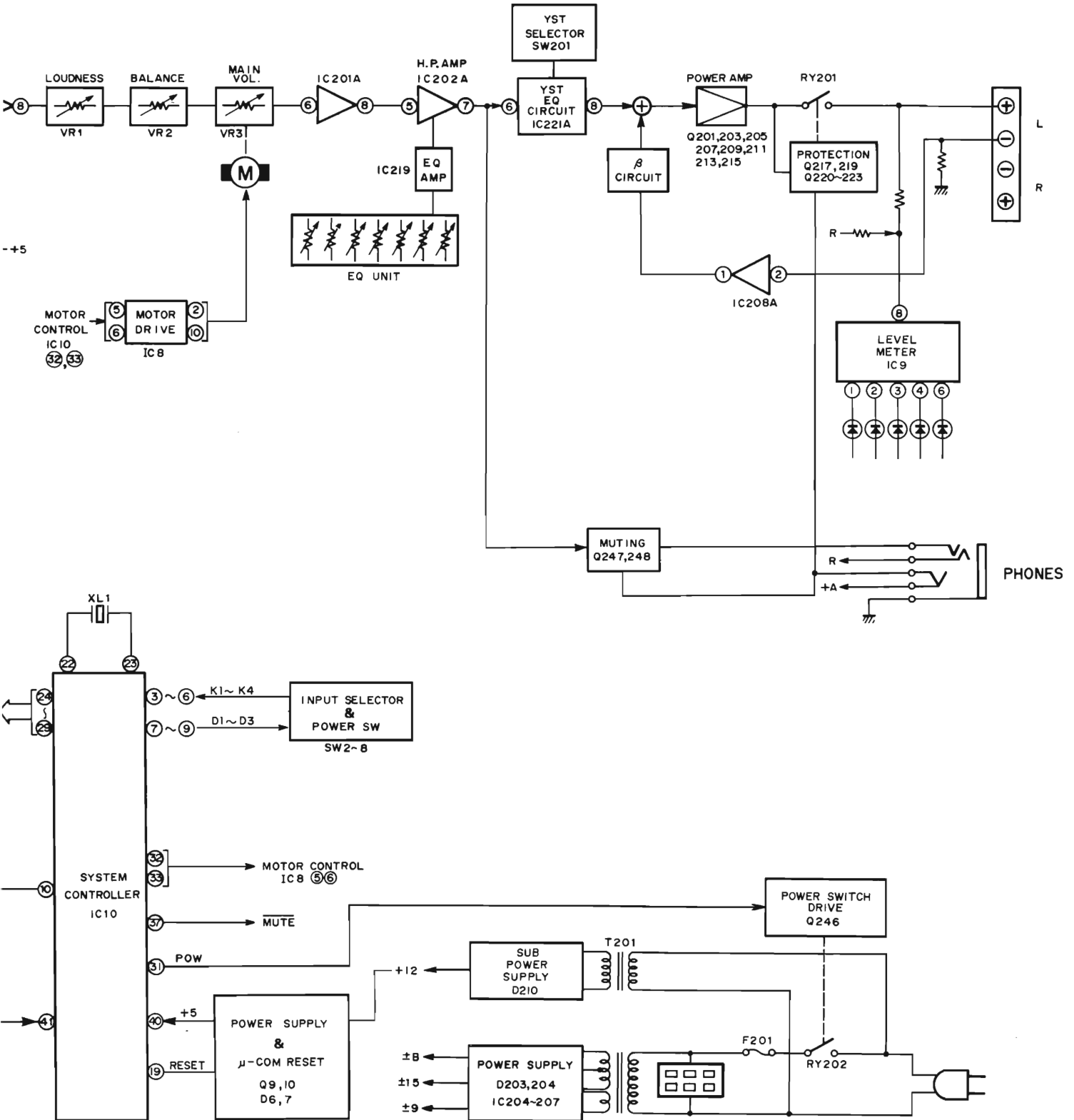
● DIMENSIONS



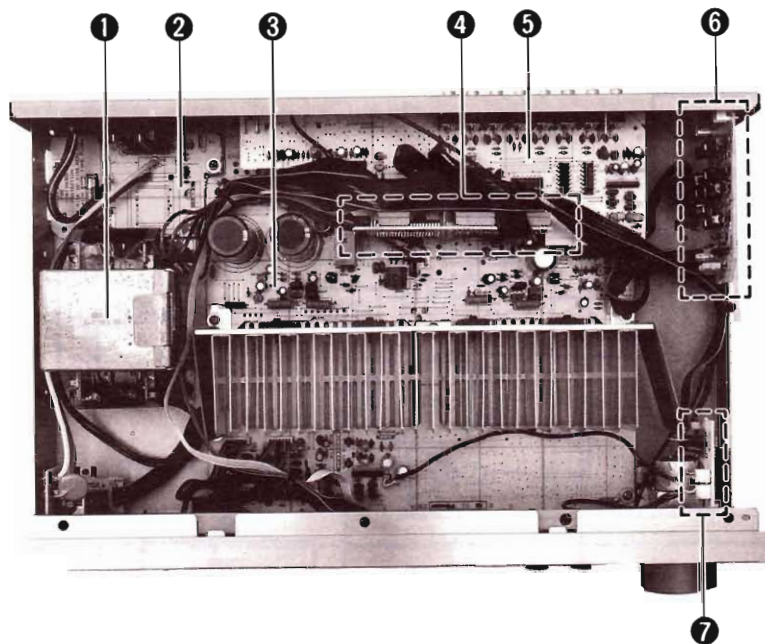
Unit : mm (Inch)

■ BLOCK DIAGRAM





■ INTERNAL VIEW



- ① POWER TRANSFORMER
- ② MAIN CIRCUIT BOARD (2)
- ③ MAIN CIRCUIT BOARD (1)
- ④ μ-COM CIRCUIT BOARD (9)
- ⑤ μ-COM CIRCUIT BOARD (1)
- ⑥ MAIN CIRCUIT BOARD (4)
- ⑦ μ-COM CIRCUIT BOARD (3)

■ DISASSEMBLY PROCEDURES

(Remove parts in disassembly order as numbered.)

1. Removal of Top Cover

Remove 5 screws (①) in Fig. 1, and slide the TOP Cover back.

2. Removal of Front Panel

Remove 6 screws (②) in Fig. 1, and pull the Front Panel forward.

3. Removal of Bottom Cover

Remove 4 screws (③) in Fig. 1.

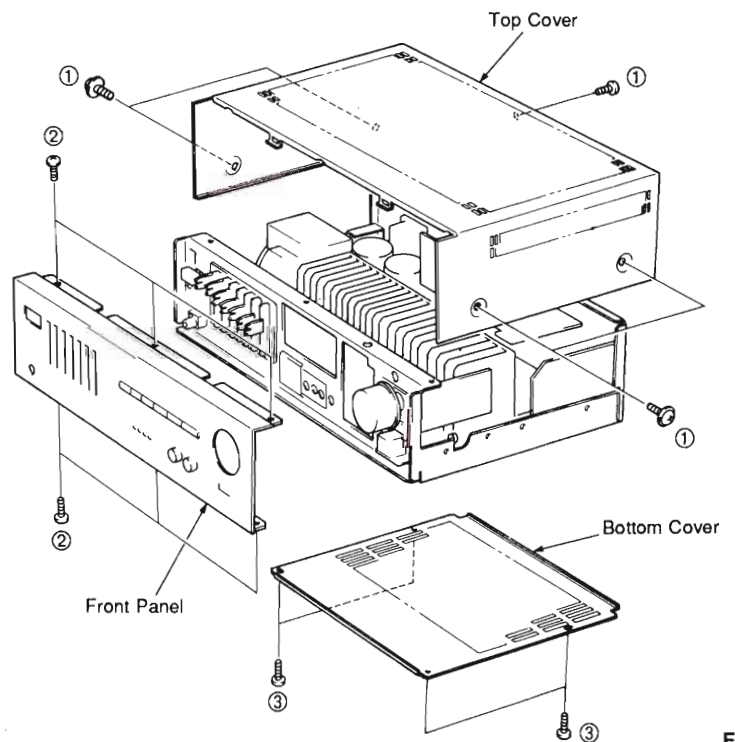


Fig. 1

● Installation of Top Cover

< Example of incorrect installation >

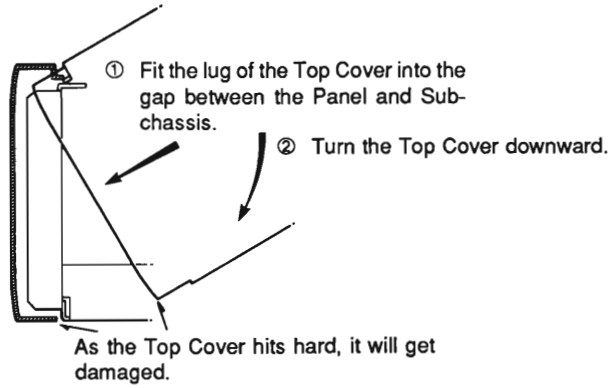


Fig. 2

< Example of correct installation >

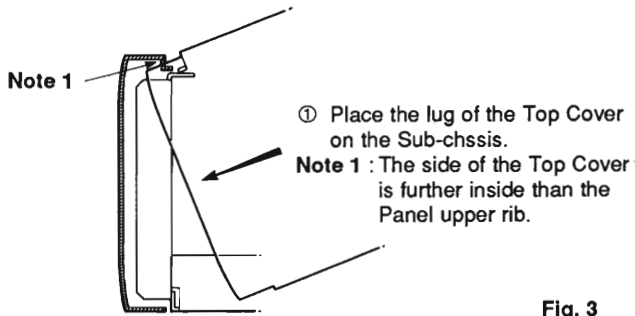


Fig. 3

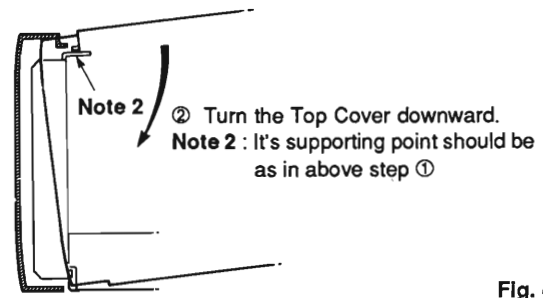


Fig. 4

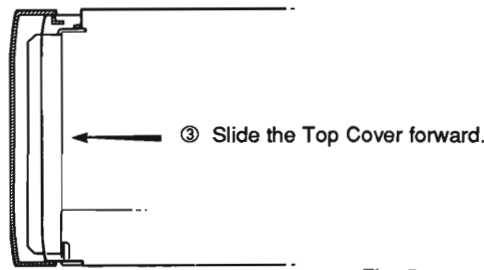


Fig. 5

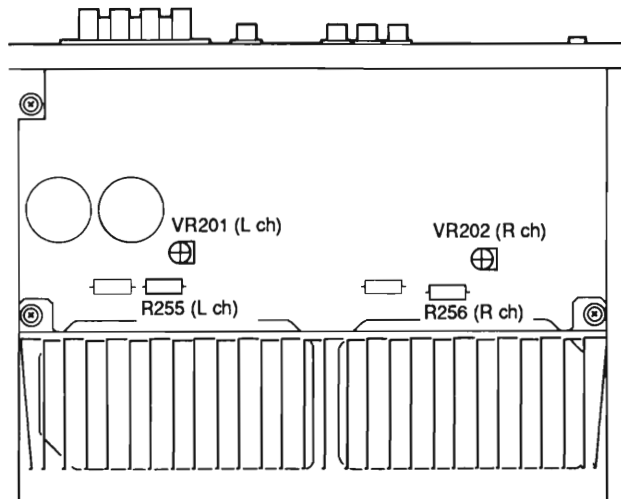
■ ADJUSTMENTS

● Idling Adjustment

To stabilize operation of the amplifier, turn ON the power in the no-signal state and wait for two minutes before the adjustment.

Adjust VR201 (L ch) so that the voltage at both R255 (L ch) becomes $DC1.5mV \pm 0.3mV$.

Adjust VR202 (R ch) so that the voltage at both R256 (R ch) becomes $DC1.5mV \pm 0.3mV$.



PRINTED CIRCUIT BOARD (Foil side)

Note) 文字面 : Component side

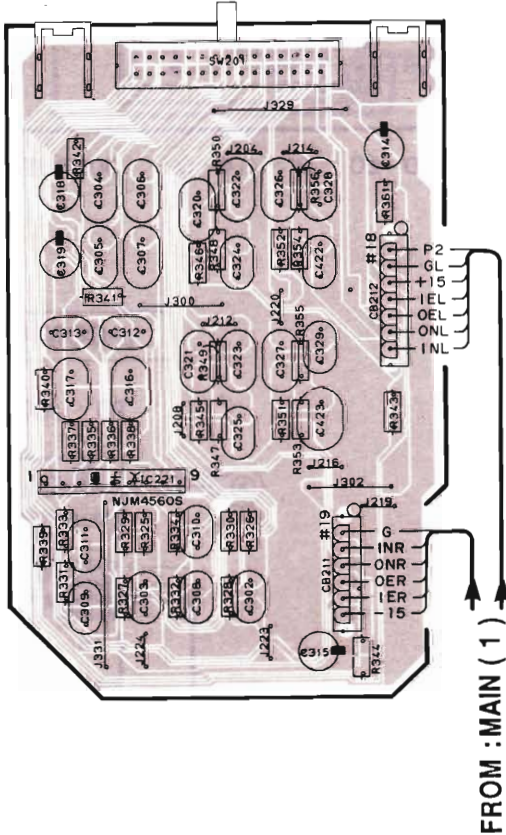
MAIN C. B (1)

● Semiconductor Location

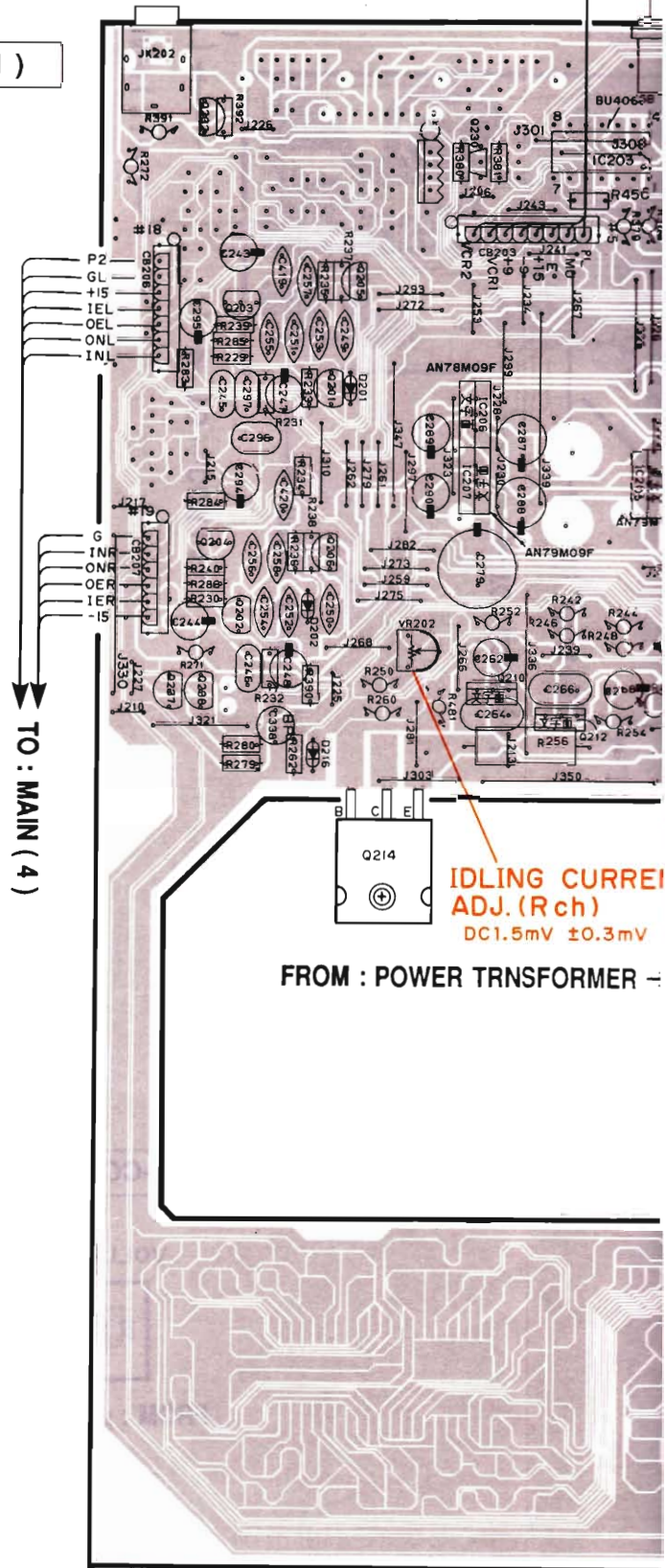
Ref. No.	Location	Ref. No.	Location	Ref. No.	Location
D 201	D2	IC220	G5	Q 216	E4
D 202	D3	IC221	B5	Q 217	G3
D 203	G2	Q 201	D2	Q 218	E3
D 205	E3	Q 202	C3	Q 219	G3
D 206	F3	Q 203	C2	Q 220	F2
D 215	G3	Q 204	C3	Q 221	F2
D 216	D3	Q 205	D2	Q 222	F2
D 217	F2	Q 206	D3	Q 223	F2
IC201	F5	Q 207	E4	Q 224	E2
IC202	F5	Q 208	E4	Q 226	F2
IC203	D2	Q 209	G3	Q 227	E2
IC204	E2	Q 210	D3	Q 229	F2
IC205	E3	Q 211	G3	Q 230	D2
IC206	D2	Q 212	D3	Q 232	C2
IC207	D3	Q 213	F4	Q 237	C3
IC208	F2	Q 214	D4	Q 238	C3
IC219	G5	Q 215	G4		

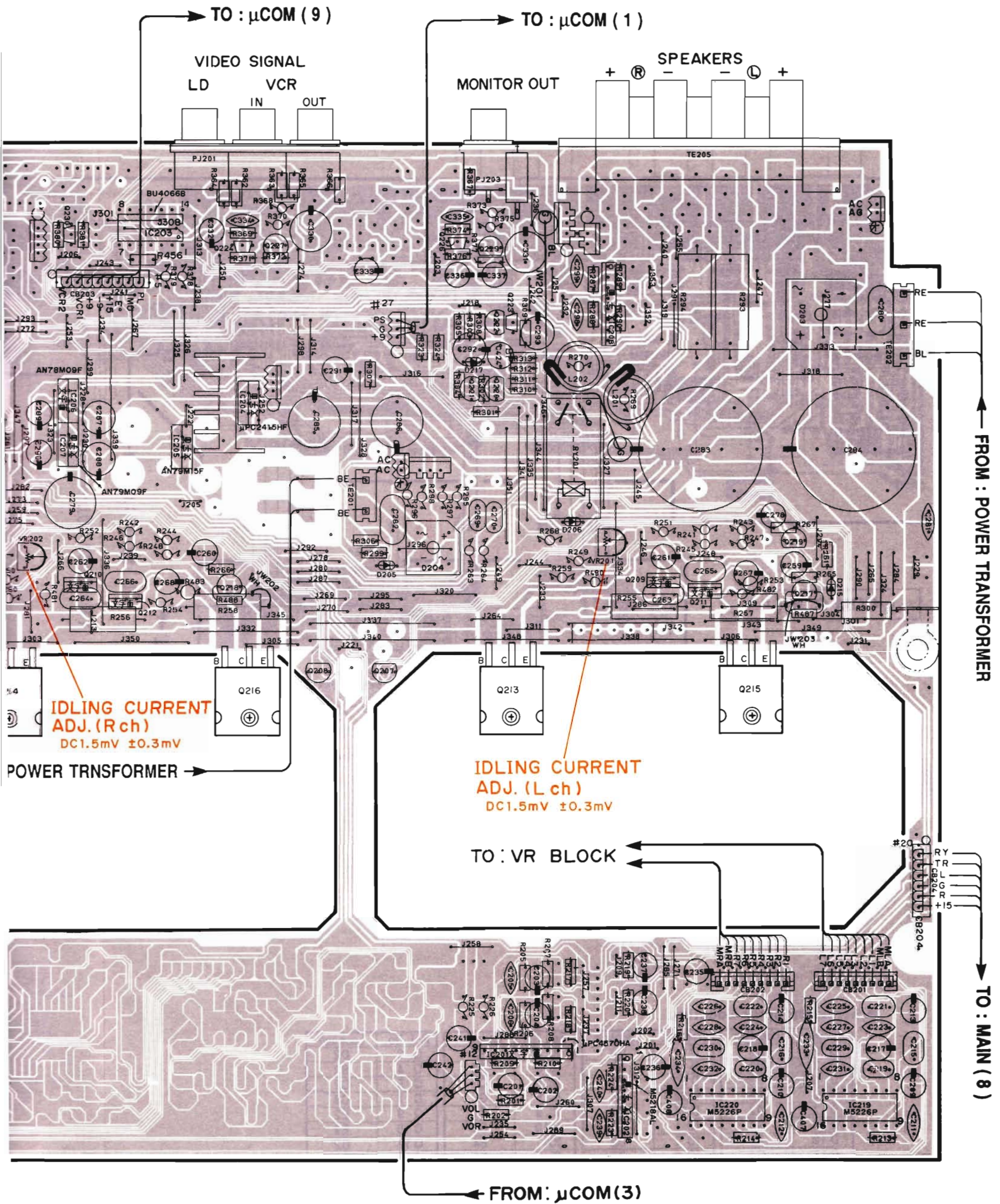
MAIN C. B (4)

— YST SELECTOR —
 · CONVENTIONAL
 · YST - 1
 · YST - 2



REMOTE CONTROL PHONO





TO : μCOM (9)

TO : μCOM (1)

VIDEO SIGNAL
LD VCR
IN OUT

MONITOR OUT

SPEAKERS
+ R - L +

FROM : POWER TRANSFORMER

IDLING CURRENT
ADJ. (Rch)
DC1.5mV ±0.3mV

IDLING CURRENT
ADJ. (Lch)
DC1.5mV ±0.3mV

POWER TRANSFORMER

TO : VR BLOCK

TO : MAIN (8)

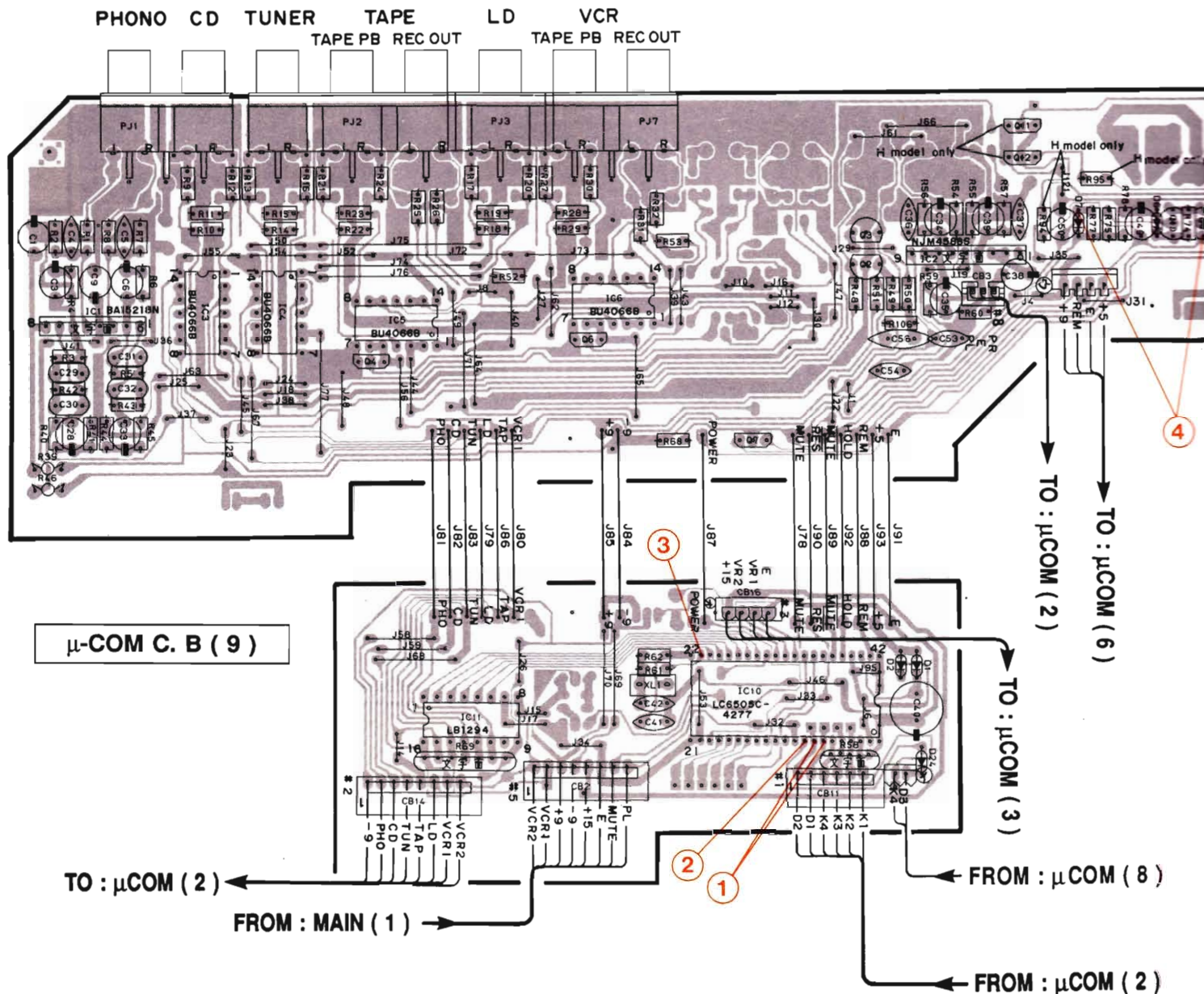
FROM : μCOM (3)

PRINTED CIRCUIT BOARD (Foil side)

Note) 文字面 : Component side

① to ④ : WAVEFORM OF TEST POINT (See page 17)

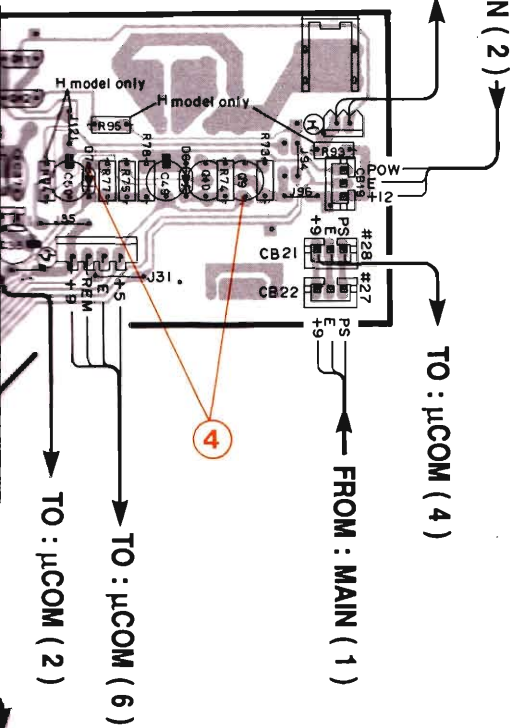
μ-COM C. B (1)



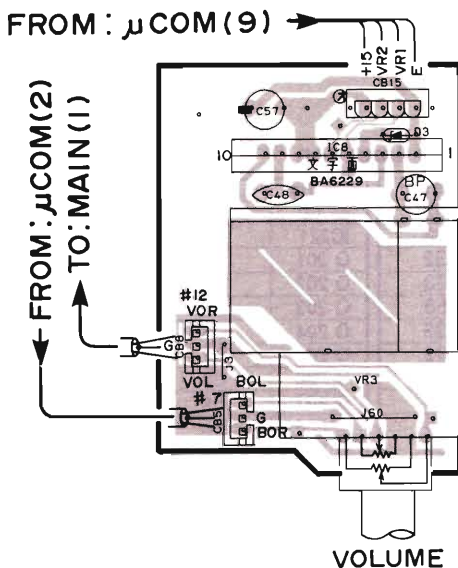
● Semiconductor Location

Ref. No.	Location	Ref. No.	Location	Ref. No.	Location	Ref. No.	Location
D 1	D3	D 14	G4	IC 4	B2	Q 3	D2
D 2	D3	D 15	F4	IC 5	B2	Q 4	B2
D 3	G2	D 20	F5	IC 6	C2	Q 5	C2
D 6	E2	D 23	G5	IC 8	G2	Q 7	C3
D 7	D2	D 24	D4	IC 9	F4	Q 9	E2
D 11	G4	IC 1	A2	IC 10	C4	Q 10	E2
D 12	F4	IC 2	D2	IC 11	B4	Q 11	D2
D 13	G4	IC 3	B2	Q 2	D2	Q 12	D2

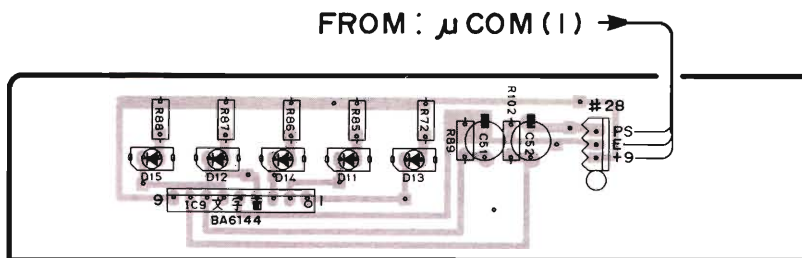
B (1)



μ-COM C. B (3)

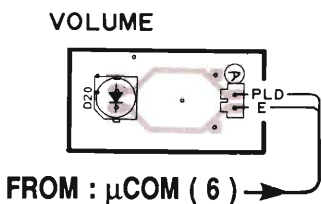


μ-COM C. B (4)

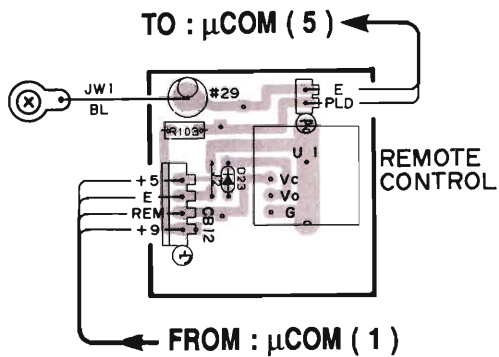


100 · 20 · 2 · 0.4 · 0.1 OUTPUT LEVEL

μ-COM C. B (5)



μ-COM C. B (6)

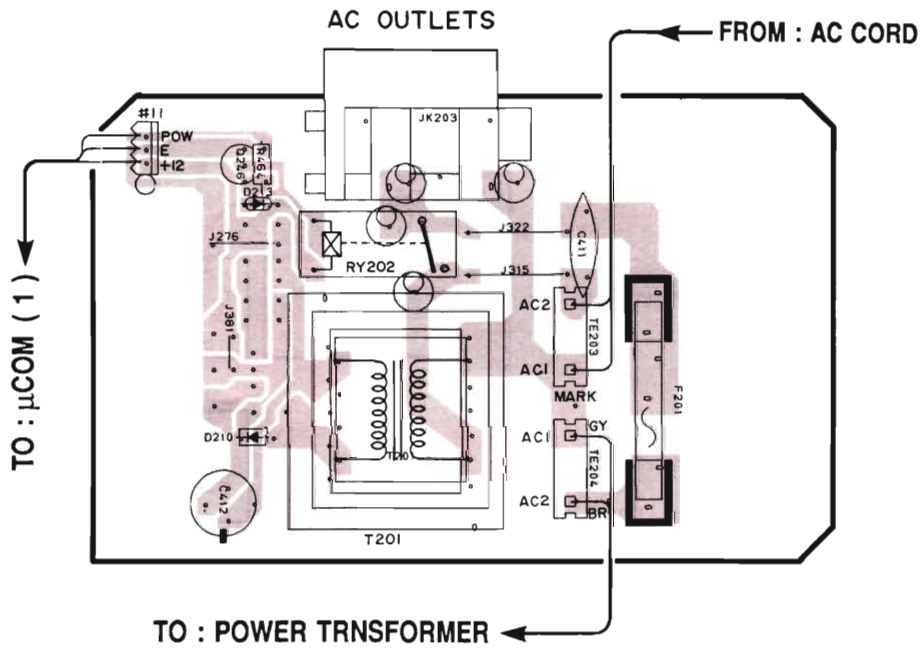


PRINTED CIRCUIT BOARD (Foil side)

Note) 文字面 : Component side

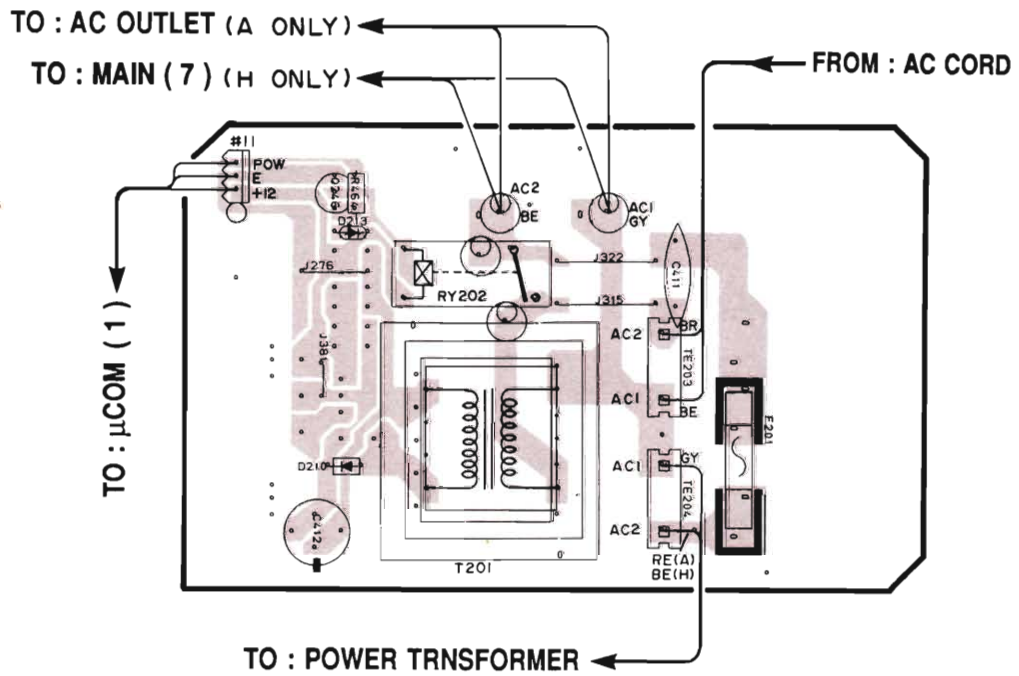
MAIN C. B (2)

● U, C models



MAIN C. B (2)

● A, H models

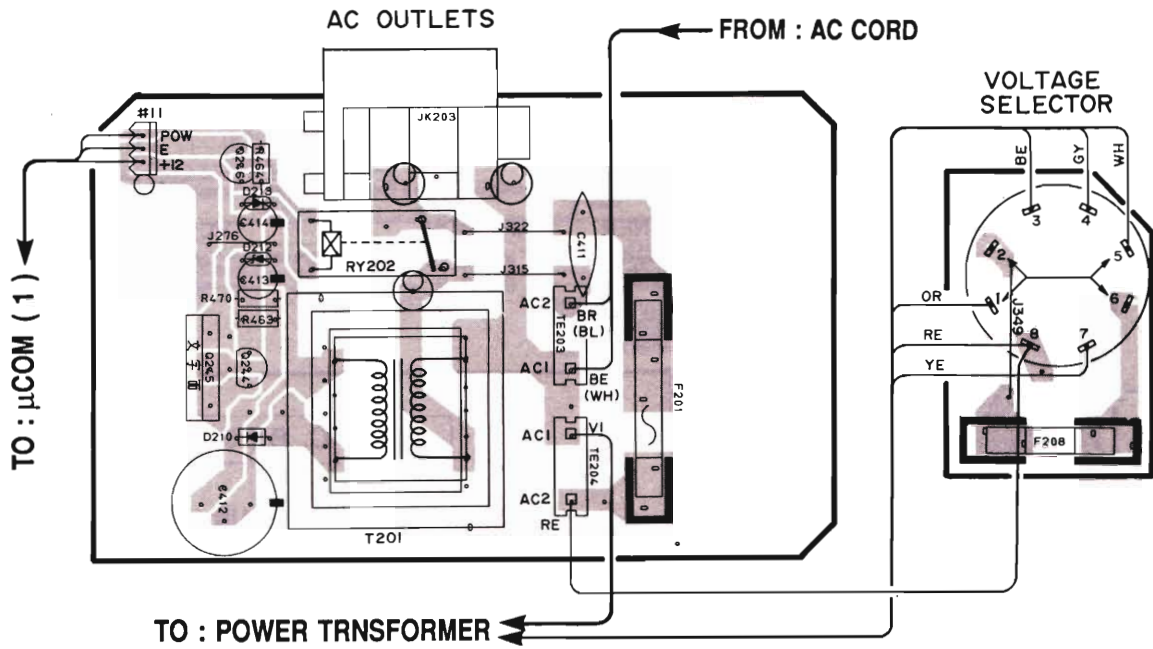


MAIN C. B (2)

● R model

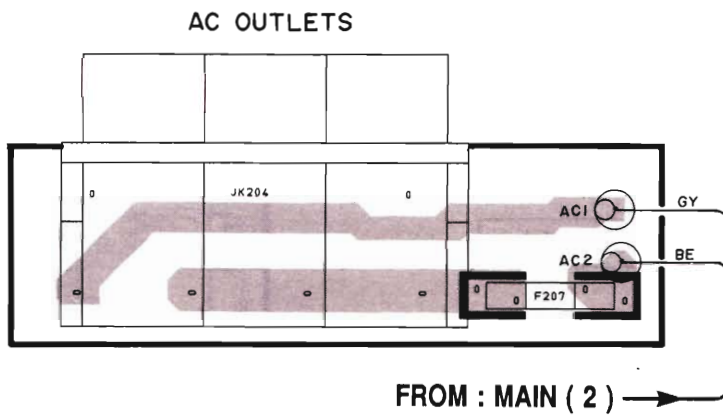
MAIN C. B (6)

● R model



MAIN C. B (7)

● H model

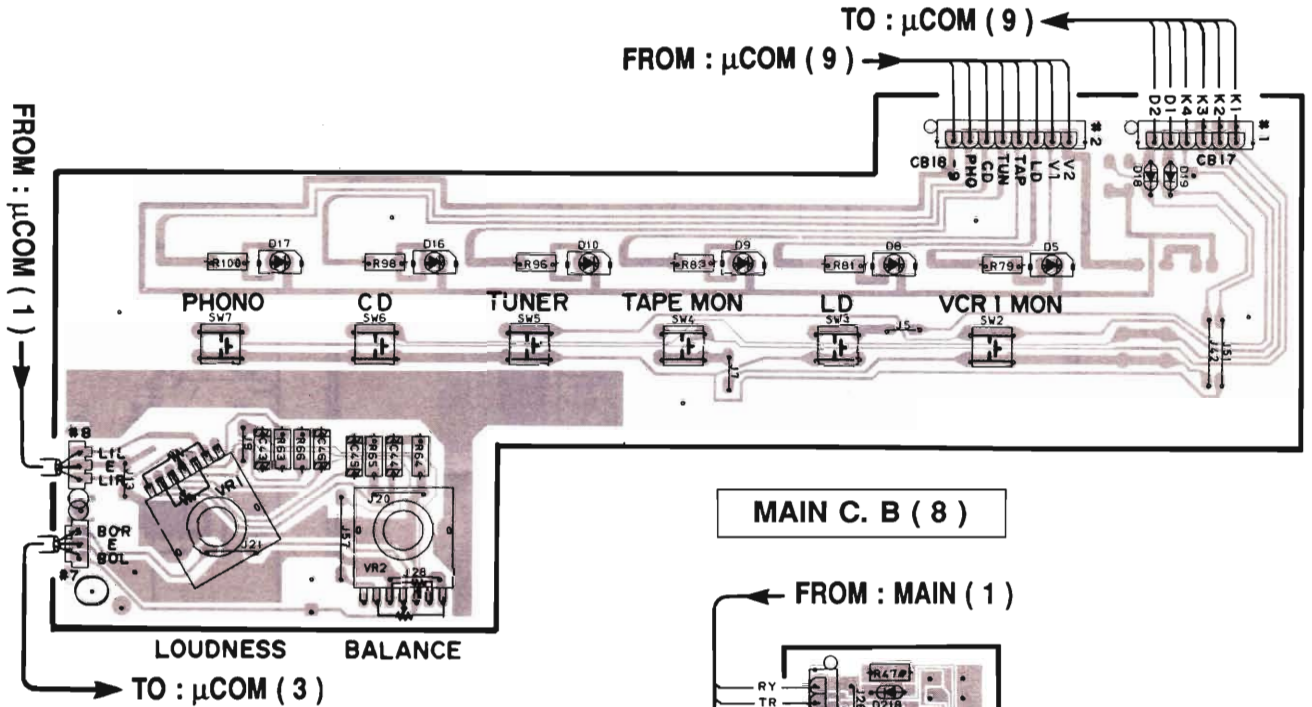


CORD

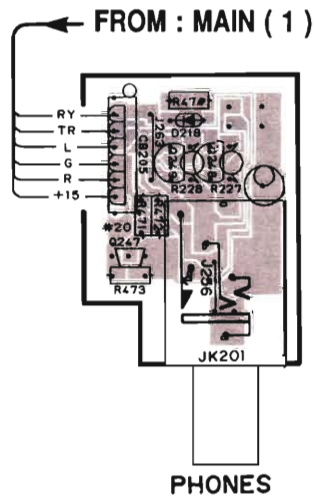
1 ■ PRINTED CIRCUIT BOARD (Foil side)

Note) 文字面 : Component side

μ-COM C. B (2)

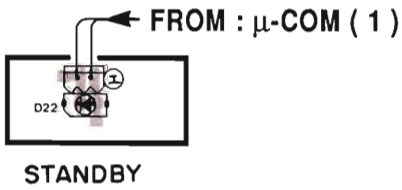


MAIN C. B (8)



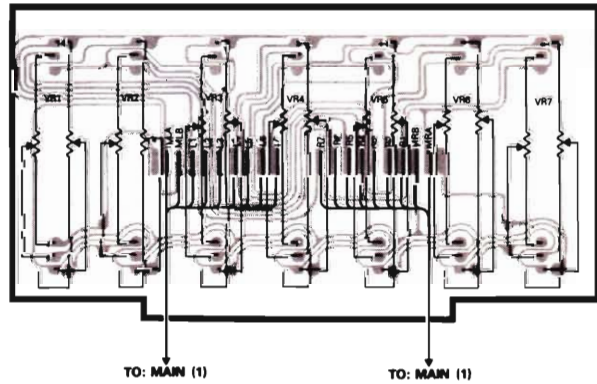
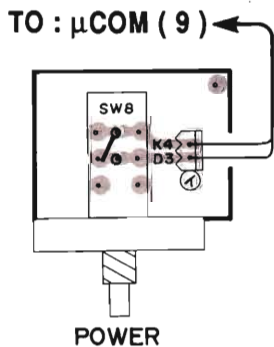
μ-COM C. B (7)

● H model

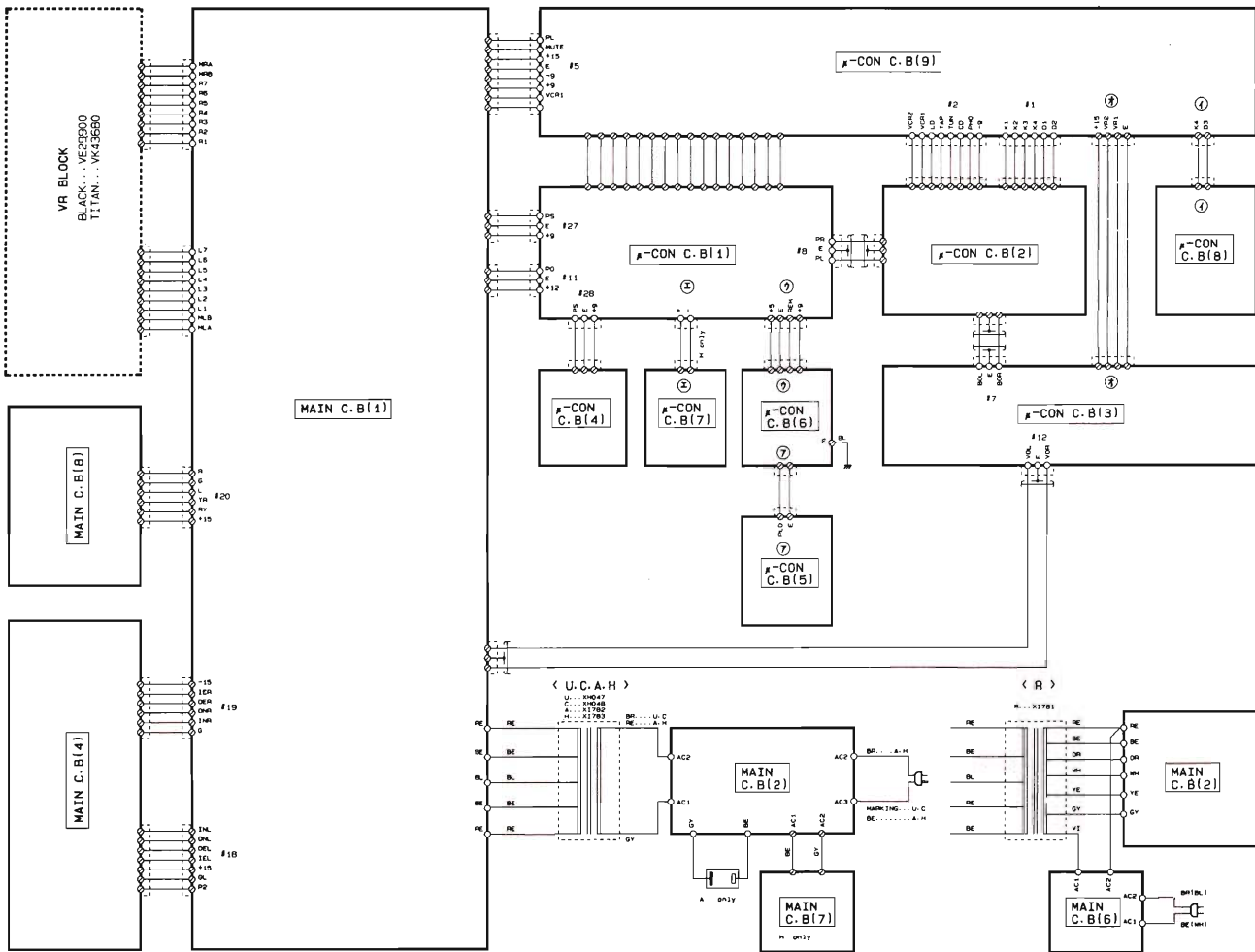


EQ. UNIT (SLIDE POTENTIOMETER BLOCK)

μ-COM C. B (8)

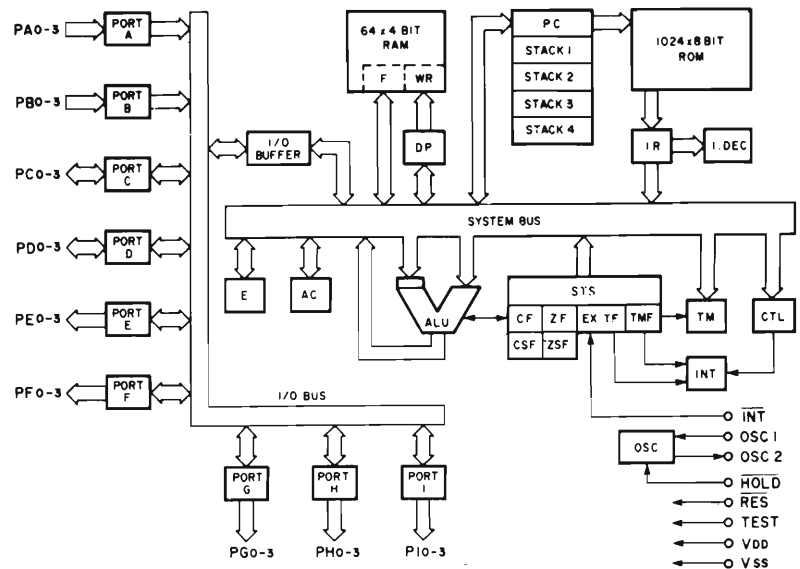
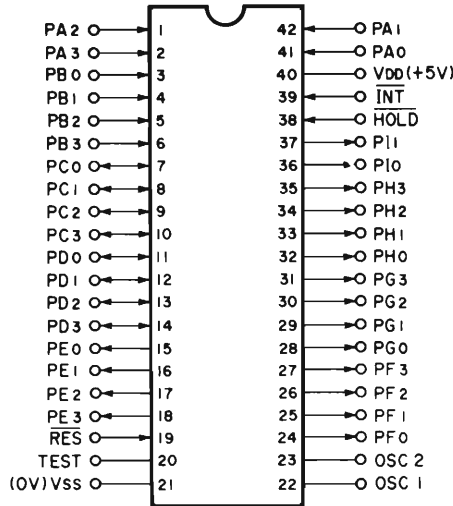


INTERCONNECT WIRING DIAGRAM



■ IC DATA

IC10 : LC6505C-4277
4 bit μ-COM



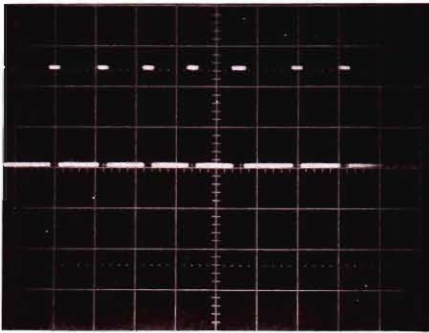
Pin No.	Name	I/O	Function	Pin No.	Name	I/O	Function	
1	PA2	I	Not used	24	PF0	O	PHONO } CD } TUNER } VDP } TAPE } VCR } Function control (H : ON, L : OFF)	
2	PA3	I	H level (TAPE MON)	25	PF1	O		
3	PB0	I	K1 } K2 } K3 } K4 } Key input (H : ON)	26	PF2	O		
4	PB1	I		27	PF3	O		
5	PB2	I		28	PG0	O		
6	PB3	I		29	PG1	O		
7	PC0	I/O	D1	30	PG2	O	Not used	
8	PC1	I/O	D2	31	PG3	O	Power control signal (H : ON)	
9	PC2	I/O	D3	32	PH0	O	Volume Up control signal	
10	PC3	I/O	PLO PHONO PLAY/CUT Control signal	33	PH1	O	Volume Down control signal	
11	PD0	I/O	Not used	34	PH2	O	TU2 } TU1 } Tuner control signal (Not used)	
12	PD1	I/O	CD0 } CD1 } CD2 } CD control signal (Not used)	35	PH3	O		
13	PD2	I/O		TP0 } TP1 } TP2 } TP3 } DECK control signal (Not used)	36	PI0	O	AMUTE Audio Muting control signal (L : Active) (Not used)
14	PD3	I/O			37	PI1	O	MUTE Muting control signal (L : Active)
15	PE0	I/O	RES } Reset input		38	HOLD	I	μ-COM Back up control (L : Back up, H : Active)
16	PE1	O			INT } +5V	39	INT	I
17	PE2	O				VDD } +5V	40	VDD
18	PE3	O		PA0 } Remote control Data input			41	PA0
19	RES	O	GND } GND		42	PA1	I	Power ON/OFF back up (H : Back up, L : Ever ON)
20	TEST	I		μ-COM clock circuit 400kHz				
21	VSS	—						
22	OSC1	—						
23	OSC2	I						

■ WAVEFORM OF TEST POINT

Point ①: D1, D2

(Pin 7 and 8 of IC10)

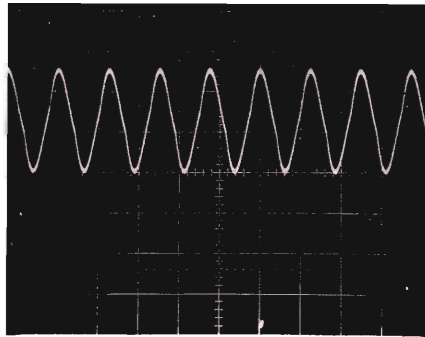
V : 2V/div H : 2msec/div
DC range 1 : 1 probe



Point ③: OSC

(Pin 23 of IC10)

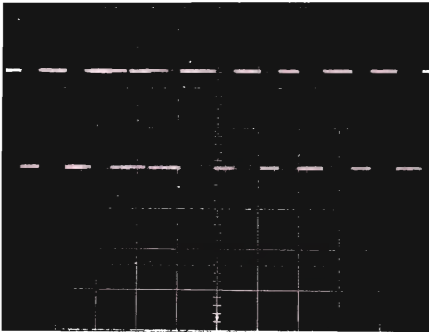
V : 2V/div H : 2μsec/div
DC range 1 : 1 probe



Point ②: D3

(Pin 9 of IC10)

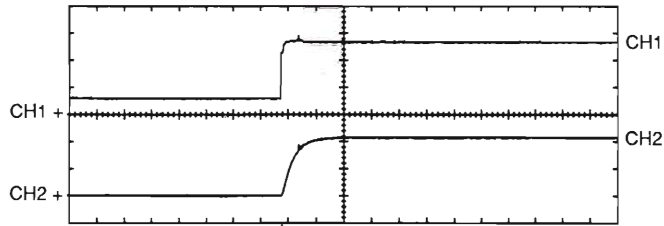
V : 2V/div H : 2msec/div
DC range 1 : 1 probe



Point ④: +5, \overline{RES}

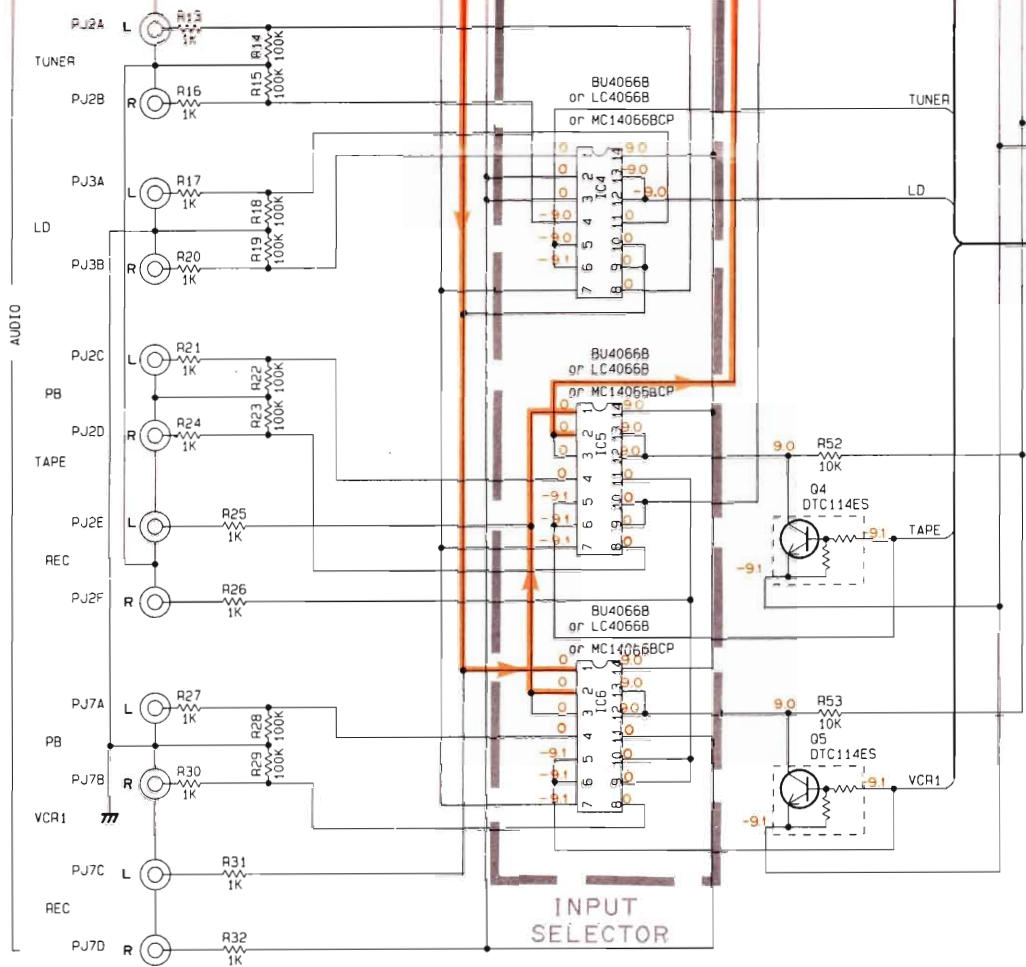
(CH 1 : Emitter of Q9 CH 2 : Pin 19 of IC10)

V : 2V/div H : 200msec/div
DC range 1 : 1 probe



When the power cord is connected to AC outlet.
(This waveform is not available by the power switch ON.)

3
4
5
6
7

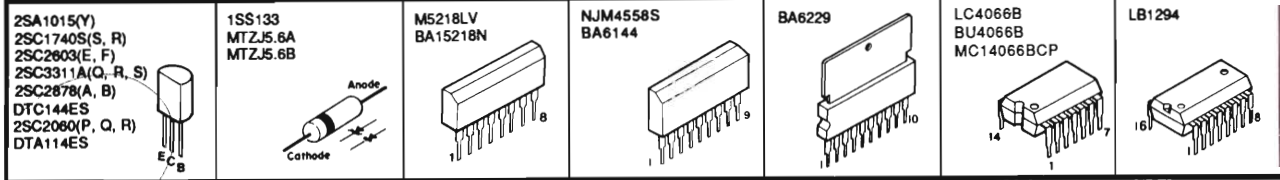


μ COM (1)

CAPACITOR	
REMARKS	PARTS NAME
NO MARK	ELECTROLYTIC CAPACITOR
⊗	TANTALUM CAPACITOR
NO MARK	CERAMIC CAPACITOR
⊙	AXIAL READ CERAMIC CAPACITOR
⊖	POLYESTER FILM CAPACITOR
○	POLYSTYRENE FILM CAPACITOR
Ⓛ	MICA CAPACITOR
⊕	POLYPROPYLENE FILM CAPACITOR
⊕	SEMICONDUCTIVE CERAMIC CAPACITOR

RESISTOR	
REMARKS	PARTS NAME
NO MARK	CARBON FILM RESISTOR (1/6W)
□	CARBON FILM RESISTOR (1/4W)
△	METAL OXIDE FILM RESISTOR
▲	METAL FILM RESISTOR
⊗	METAL PLATE RESISTOR
⊠	FIRE PROOF CARBON FILM RESISTOR
□	CEMENT MOLDED RESISTOR
⊕	SEMI VARIABLE RESISTOR
■	CHIP RESISTOR

PIN CONNECTION DIAGRAM OF TRANSISTORS, DIODES AND ICs.



8

SCHEMATIC DIAGRAM

Condition : Set the Input selector to CD position.

1

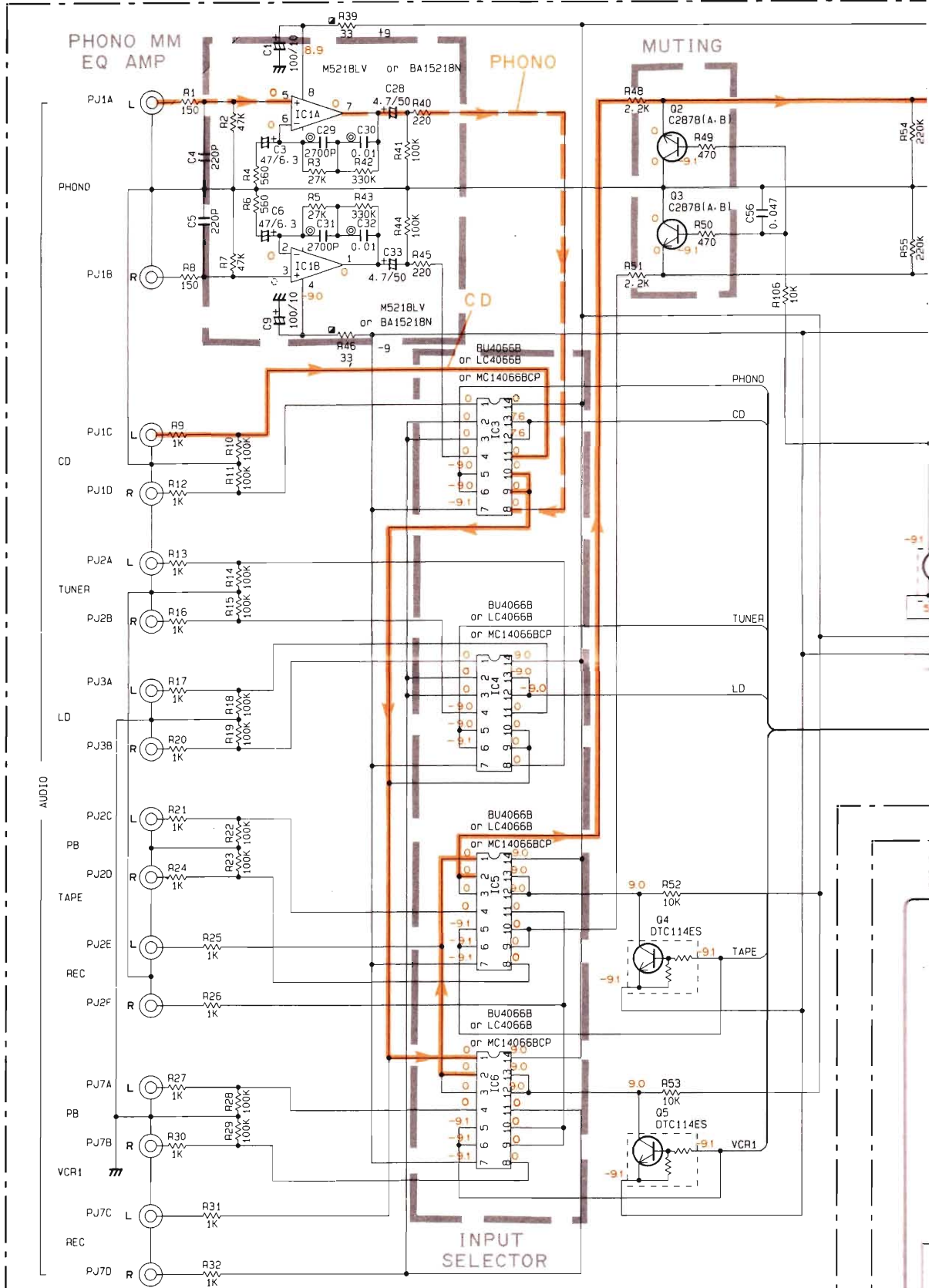
2

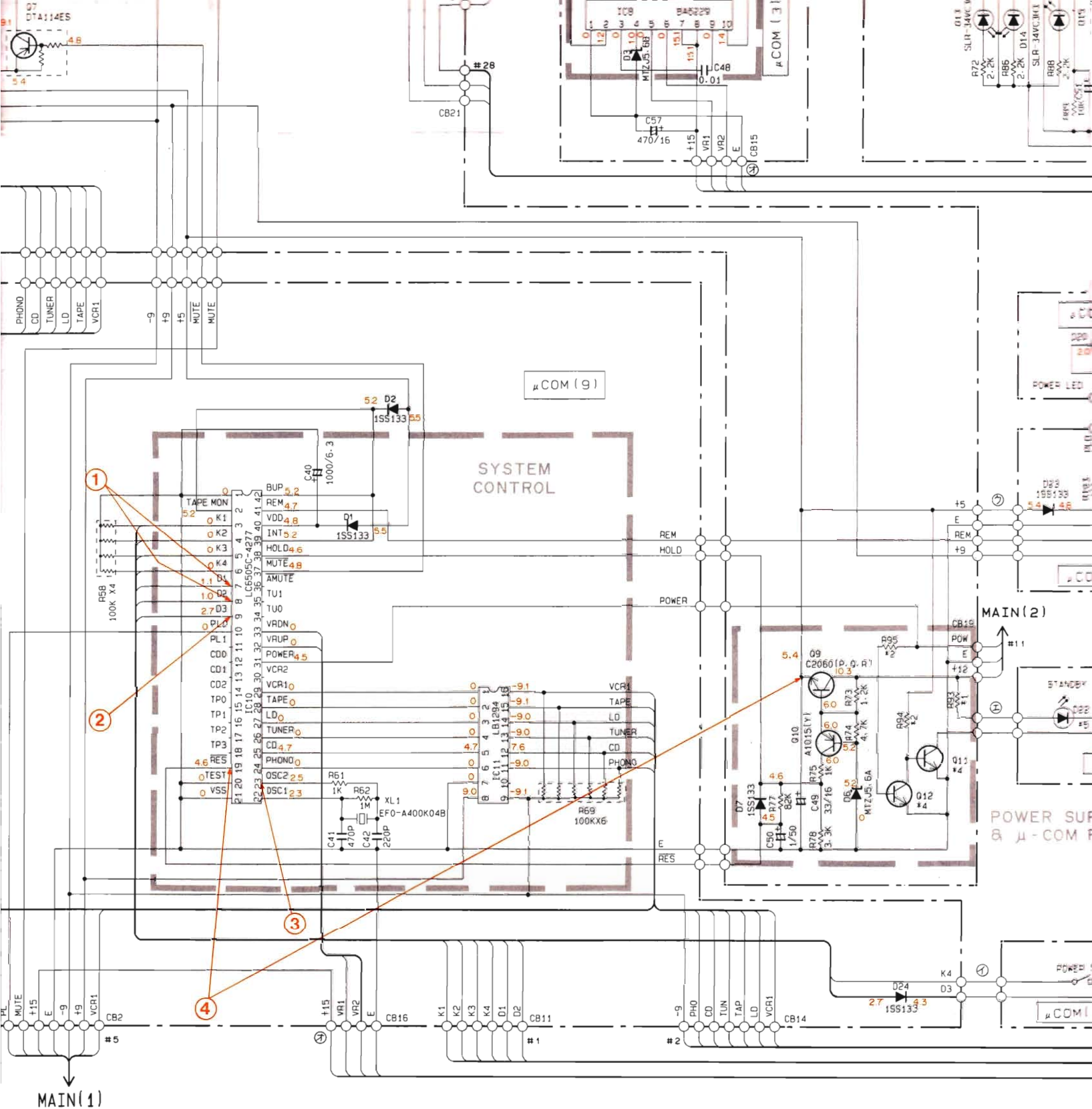
3

4

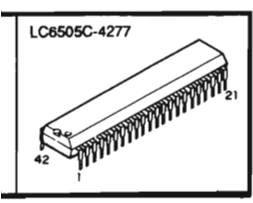
5

6

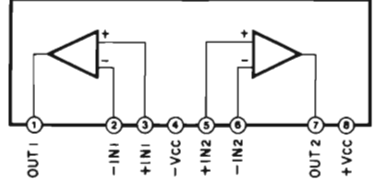




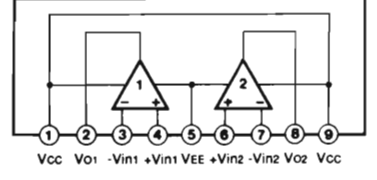
- NOTICE
- Japanese model
 - U.S.A model
 - Canadian model
 - Australian model
 - European model
 - British model
 - General model
 - RP model

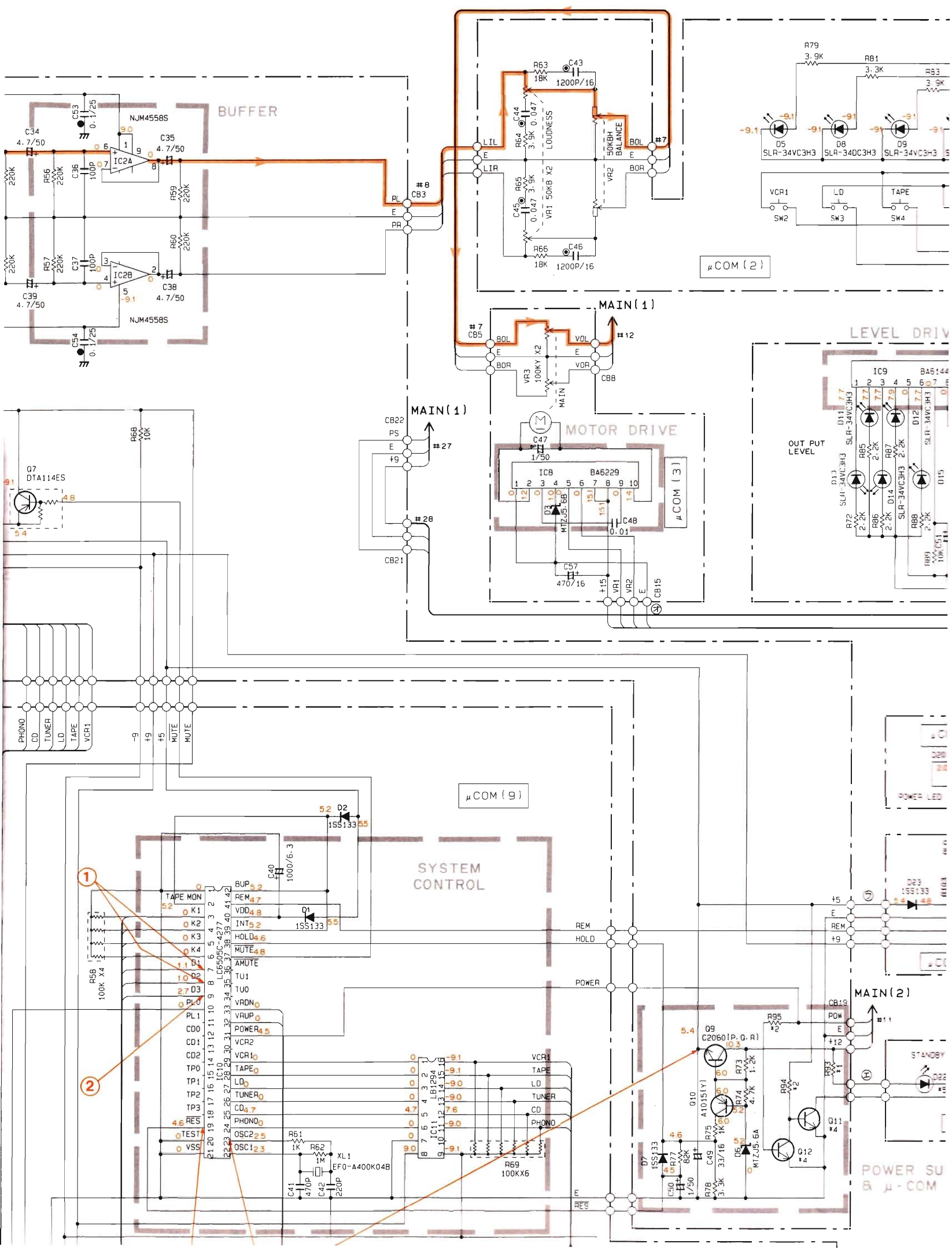


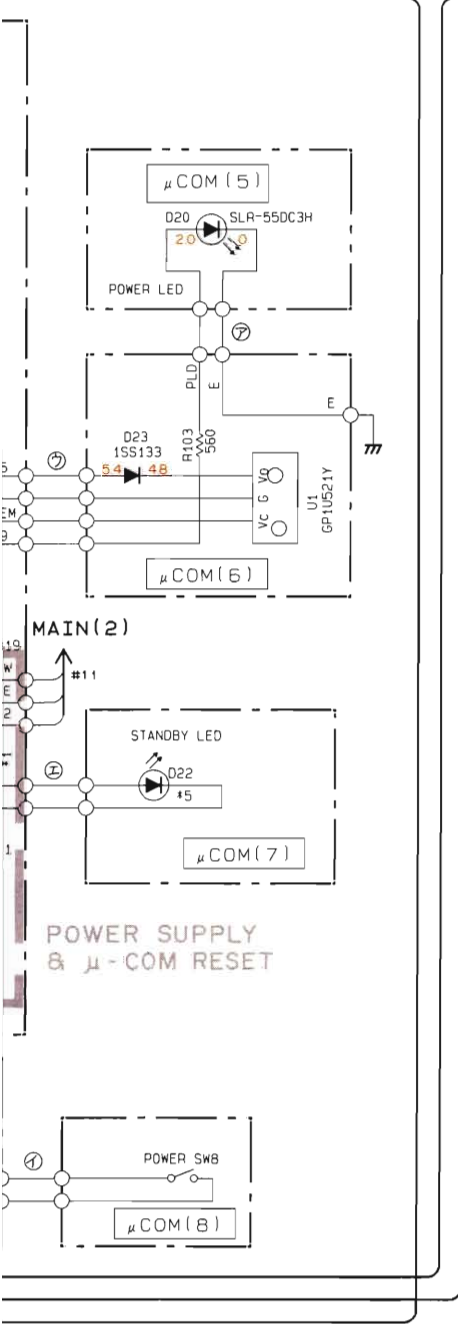
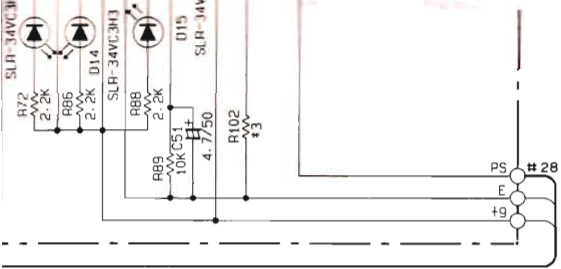
IC1 : BA15218N or M5218L (V)
Dual Ope-amp



IC2 : NJM4558S
Dual Ope-amp



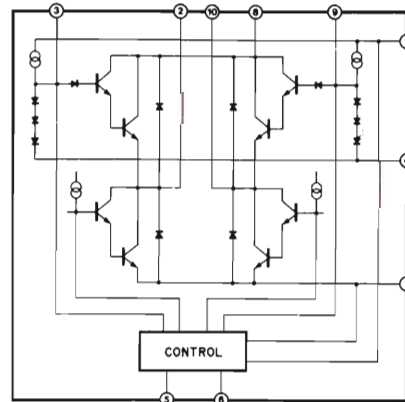




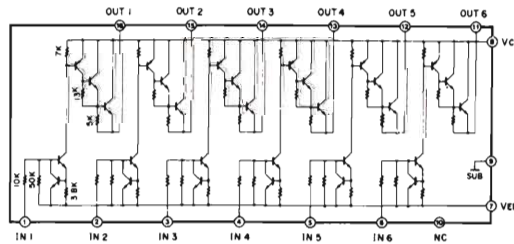
#	U. C. R. A	H
1	R93	3.3K
2	R94.95	4.7K
3	R102	620
4	O11.12	2SC1740S(R.S) 2SC2603(E.F) 2SC3311A(G.R.S)
5	D22	SLR-34VC3H3

LAST NO.	
C	57
R	106
Q	12
D	24
IC	11
SW	8

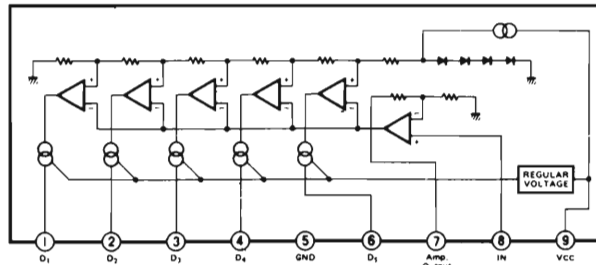
IC8 : BA6229
Motor Drive



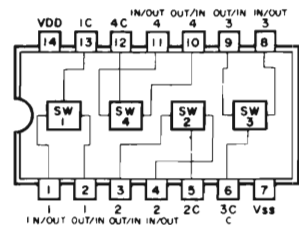
IC11 : LB1294
LED Drive



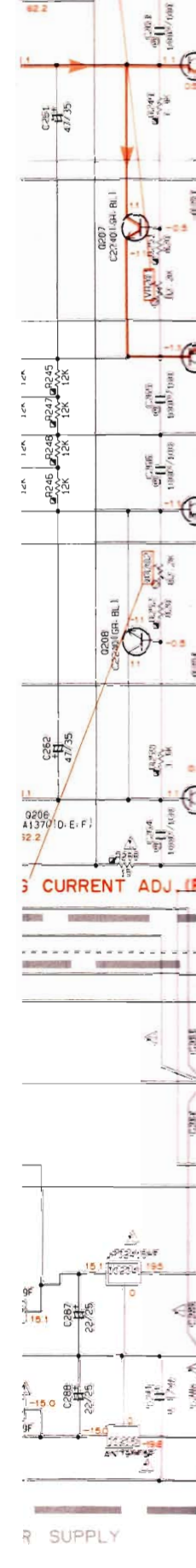
IC9 : BA6144
Level Meter Drive

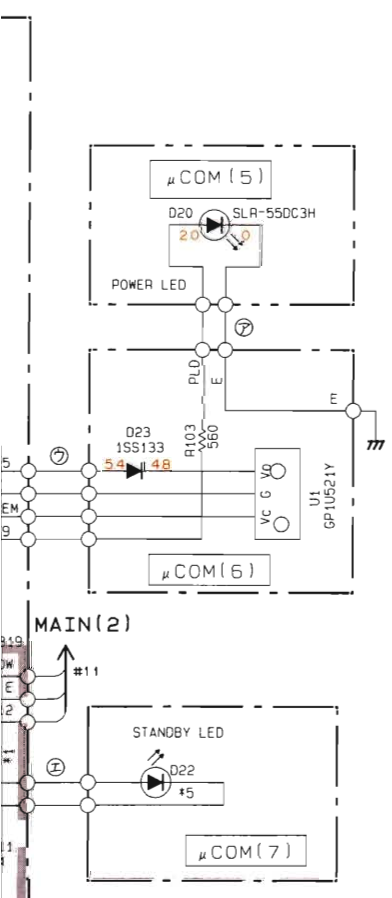
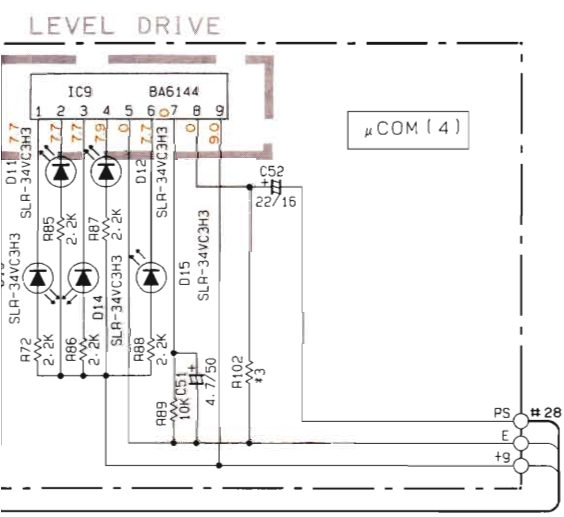
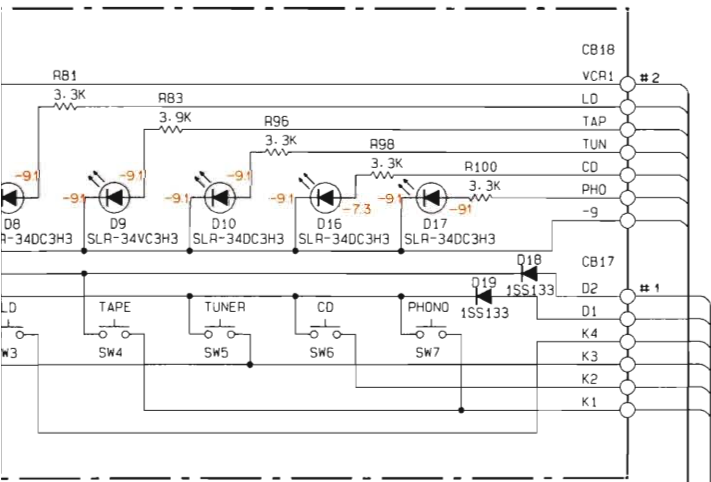


IC3~6 : LC4066B, MC14066BCP or
BU4066B
Quad Bilateral Switch



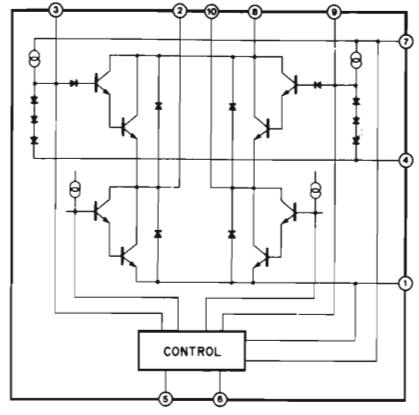
- * All voltage are measured with a 10MΩ/V DC electric volt meter.
- * Components having special characteristics are marked Δ and must be replaced with parts having specifications equal to those originally installed.
- * Schematic diagram is subject to change without notice.





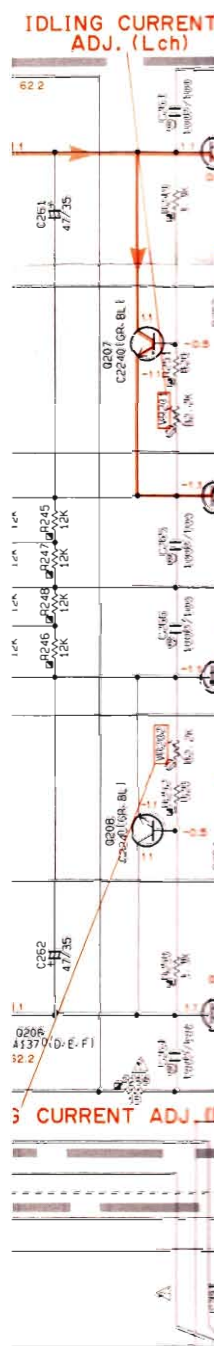
#	U. C. R. A	H
1	R93	OPEN 3.3K
2	R94.95	OPEN 4.7K
3	R102	470 620
4	Q11.12	OPEN 2SC1740S (R. S) 2SC2603 (E. F) 2SC3311A (G. R. S)
5	D22	OPEN SLR-34VC3H3

IC8 : BA6229
Motor Drive



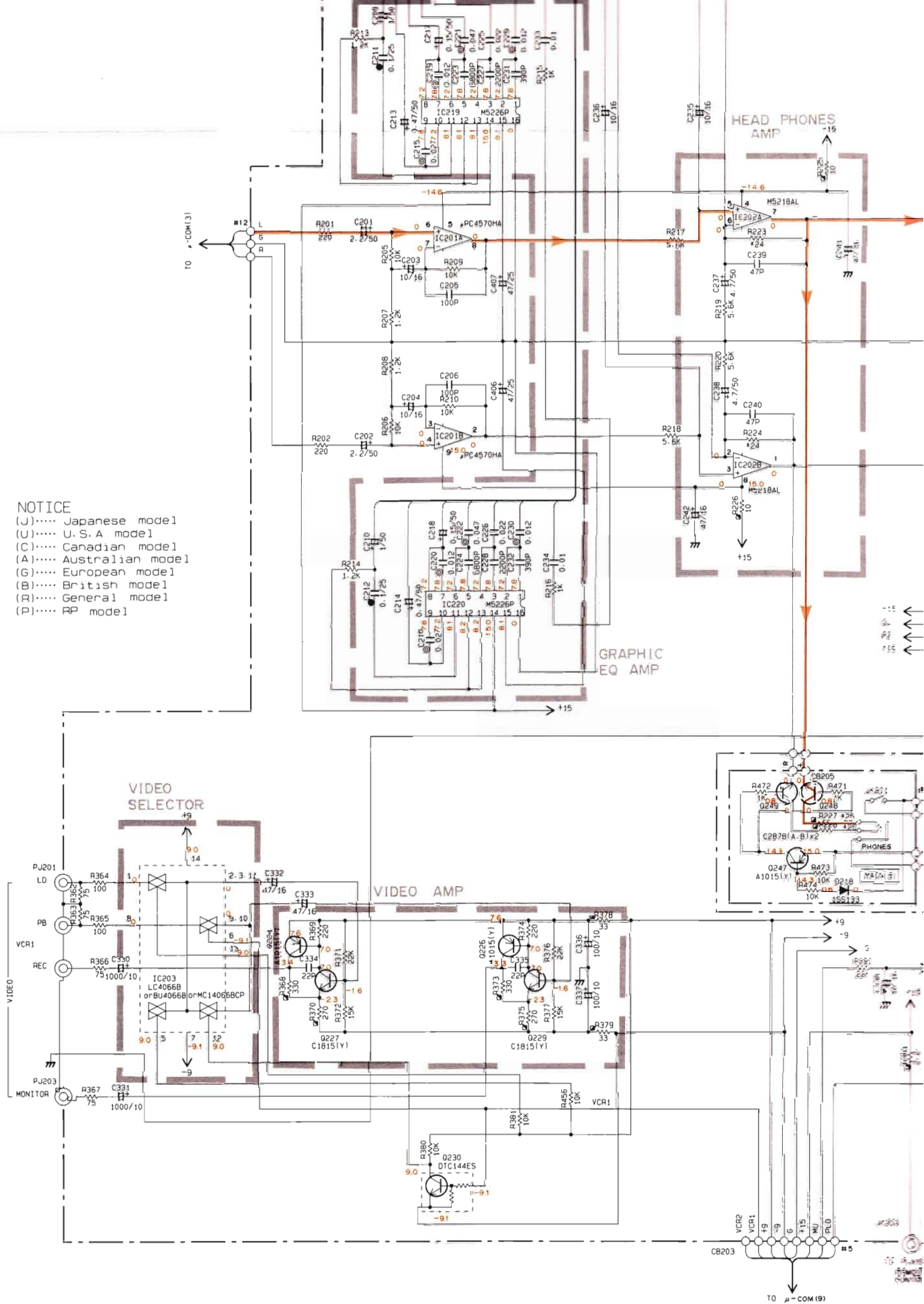
IC11 : LB1294
LED Drive

LAST NO.	
C	57
R	105



NOTICE

- (J)..... Japanese model
- (U)..... U.S.A model
- (C)..... Canadian model
- (A)..... Australian model
- (G)..... European model
- (B)..... British model
- (R)..... General model
- (P)..... RP model



PIN CONNECTION DIAGRAM OF TRANSISTORS, DIODES AND ICS.

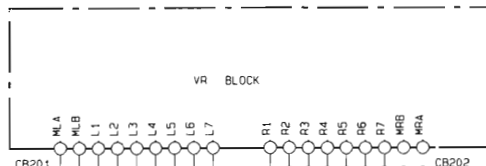
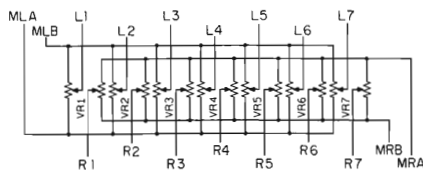
<p>2SA1015(Y) 2SA970(GR, BL) 2SA1370(D, E, F) 2SC1815Y 2SC1740S(S, R) 2SC2803(E, F) 2SC3311A(Q, R, S) 2SC2240(GR, BL) 2SC2878(A, B)</p>	<p>2SC2925T DTC144ES 2SD1485(P, Q, R)</p>	<p>μPC2415HF AN78M09F</p>	<p>AN79M15F AN79M09F</p>	<p>2SA1358 2SC3421</p>	<p>2SA1491 2SC3855</p>	<p>4D4B41 2B4B41</p>	<p>1SS133 MA185 ISR139-100T32 MTZJ12C</p>
---	---	-------------------------------	------------------------------	----------------------------	----------------------------	--------------------------	---

SCHEMATIC DIAGRAM

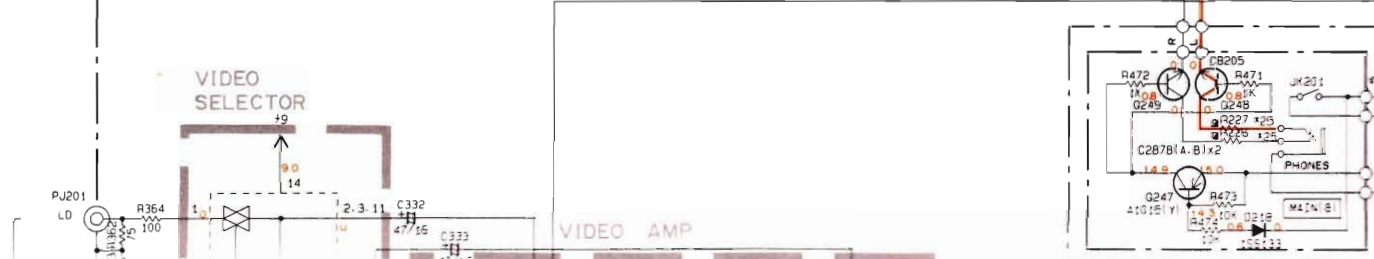
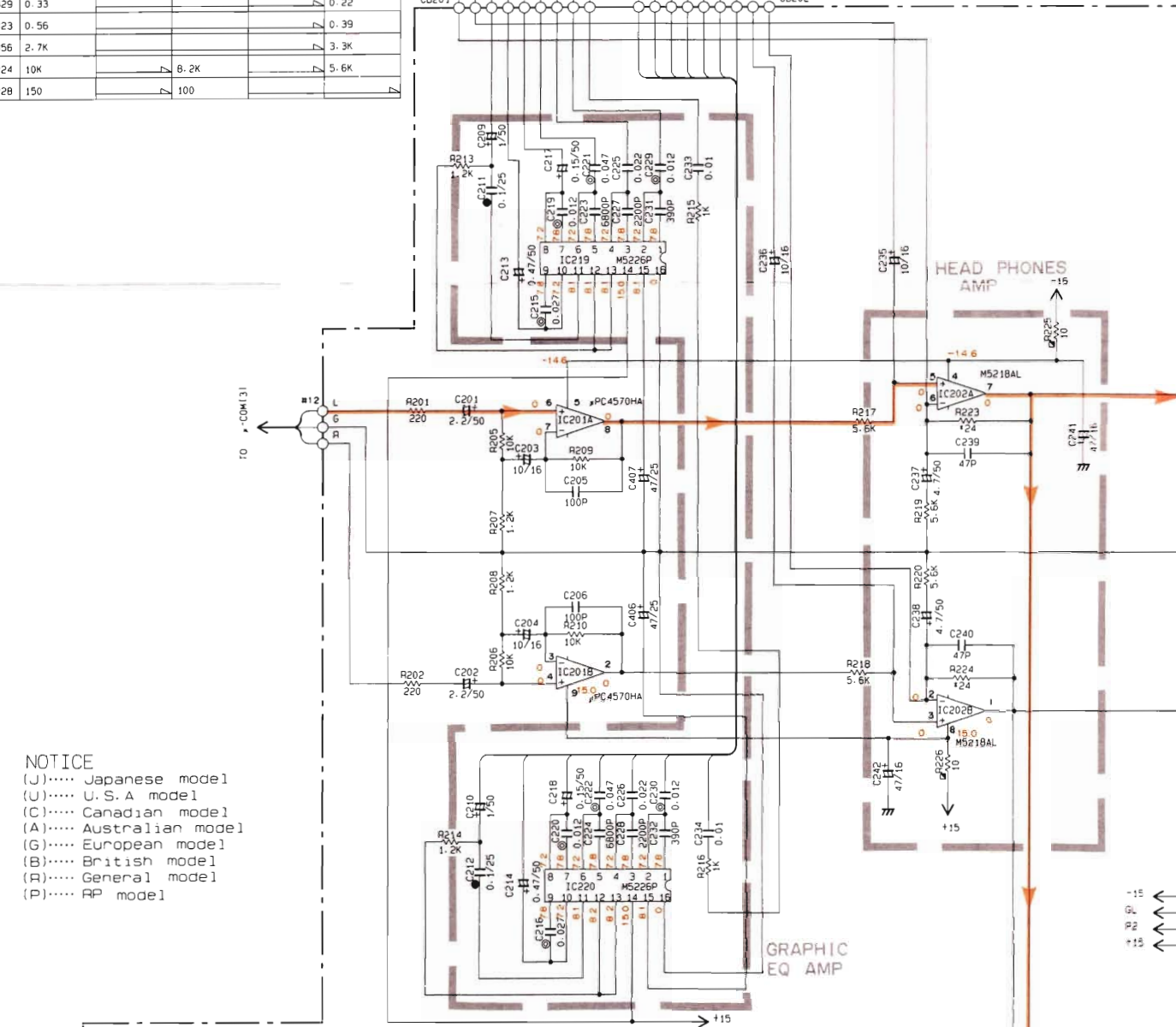
#	U	C	R	A	H
1	F201	7A125V	7A125V	T2-5A250V	
2	C412	470/25	470/25	470/63	470/25
3	R463-470	OPEN	OPEN	12K	OPEN
4	C413	OPEN	OPEN	47/16	OPEN
5	Q244	OPEN	OPEN	C2240 (GR. BL)	OPEN
6	D212	OPEN	OPEN	MTZJ12C	OPEN
7	Q245	OPEN	OPEN	DI485 (P. G. R)	OPEN
8	C414	OPEN	OPEN	10/16	OPEN
9	J381	SHORT	SHORT	OPEN	SHORT
10					
11	R300	2P1-8K		2P12K	2P1K
14	Q213-214	25D2029			25C3855
15	Q215-216	25B1347			25A1491
16	C283-284	8200/71			6800/56
17	RY201	DH2402-OTM			DH24-0T(M)II
18	C302-303	0.082			0.068
19	C304-305	0.27			0.15
20	C306-307	0.33			0.18
21	C328-329	0.33			0.22
22	C422-423	0.56			0.39
23	C347-356	2.7K			3.3K
24	R223-224	10K		8-2K	5.6K
25	R227-228	150		100	

REMARKS	PARTS NAME
NO MARK	ELECTROLYTIC CAPACITOR
⊗	TANTALUM CAPACITOR
NO MARK	CERAMIC CAPACITOR
⊙	AXIAL LEAD CERAMIC CAPACITOR
⊖	POLYESTER FILM CAPACITOR
○	POLYSTYRENE FILM CAPACITOR
⊖	MICA CAPACITOR
⊖	POLYPROPYLENE FILM CAPACITOR
⊖	SEMICONDUCTIVE CERAMIC CAPACITOR

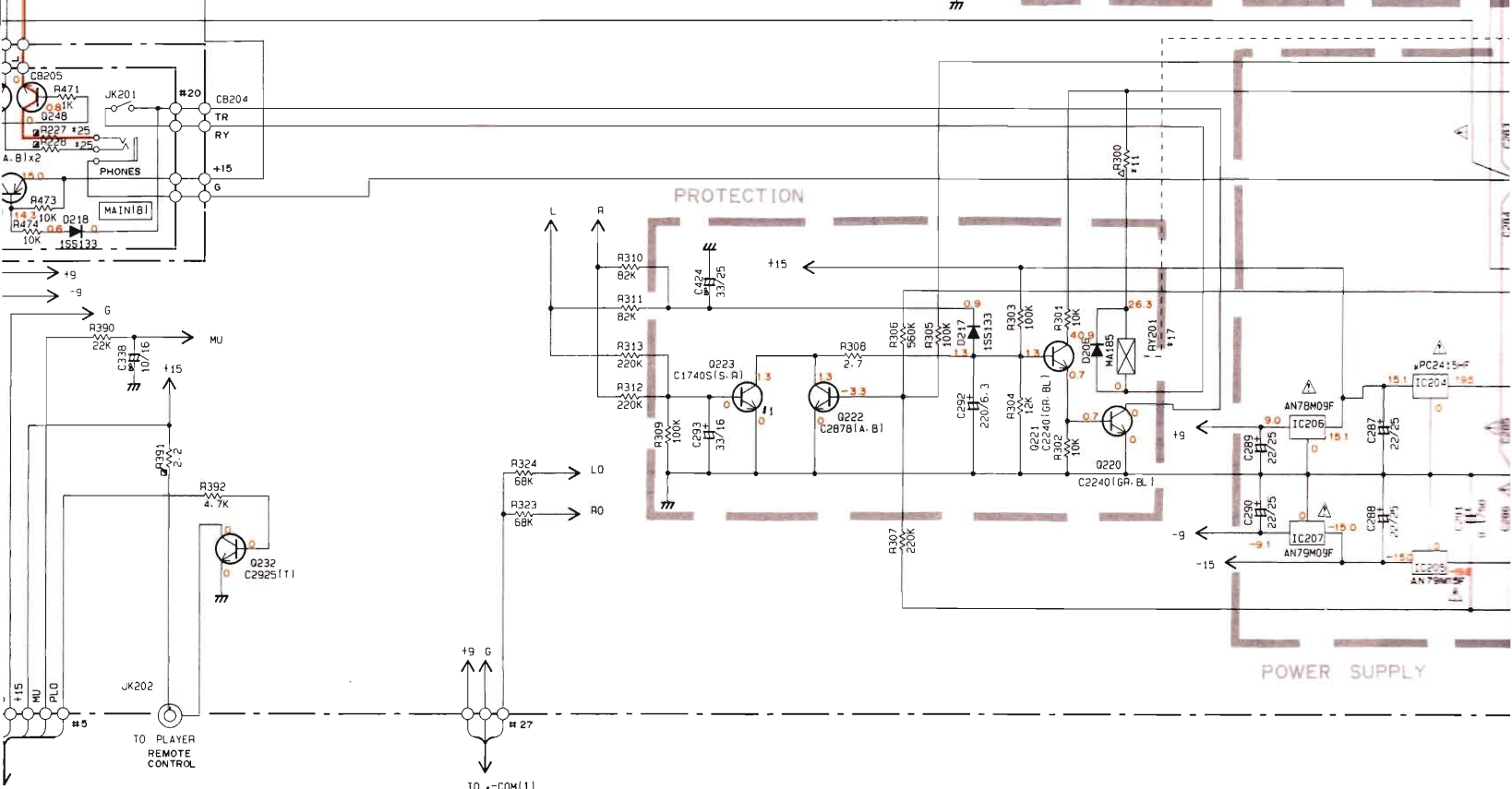
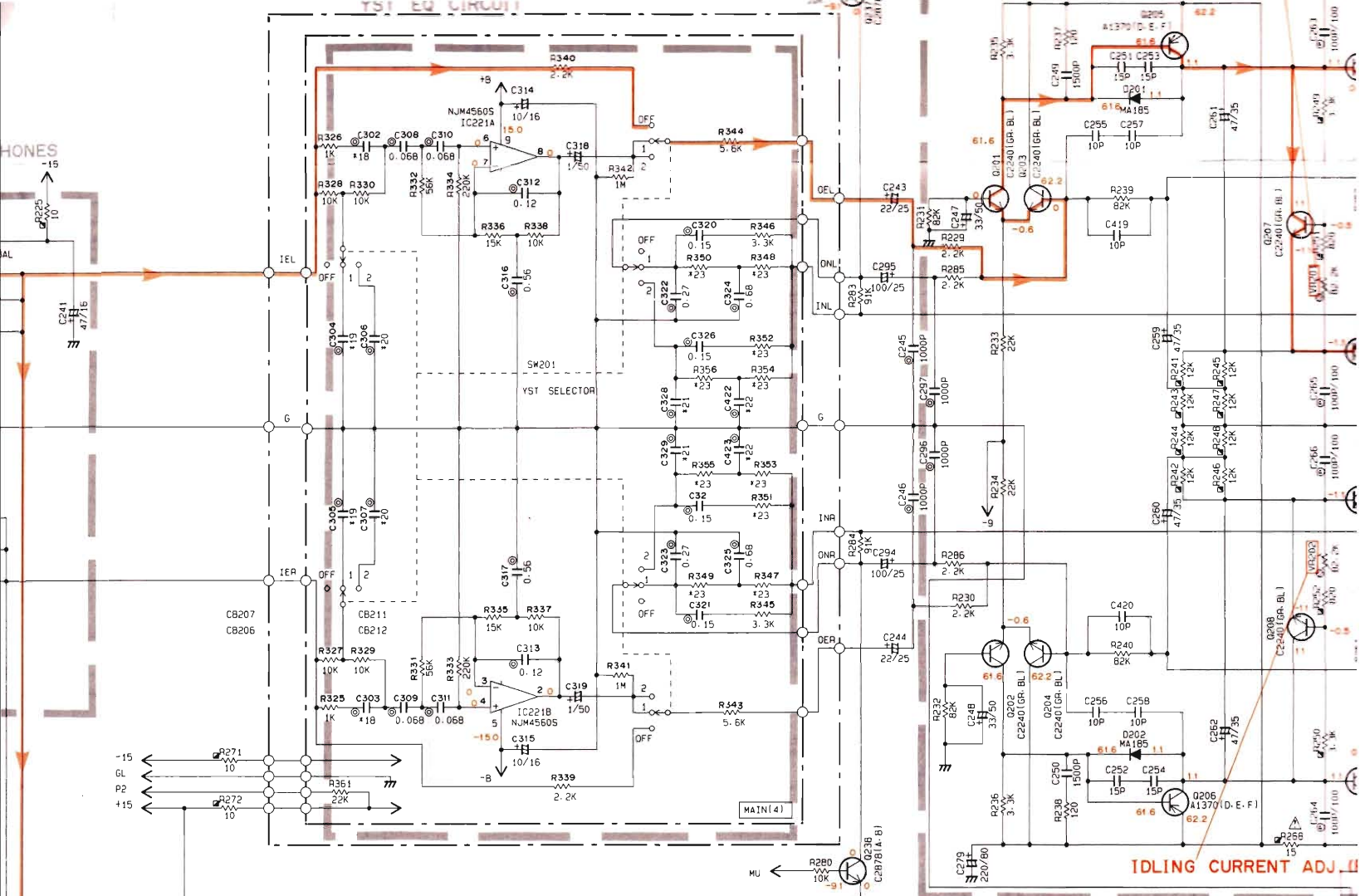
REMARKS	PARTS NAME
NO MARK	CARBON FILM RESISTOR
⊠	CARBON FILM RESISTOR
⊠	METAL OXIDE FILM RESISTOR
⊠	METAL FILM RESISTOR
⊠	METAL PLATE RESISTOR
⊠	FIRE PROOF CARBON FILM RESISTOR
⊠	CEMENT MOLDED RESISTOR
⊠	SEMI VARIABLE RESISTOR
⊠	CHIP RESISTOR

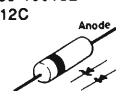
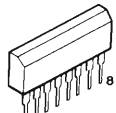
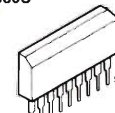
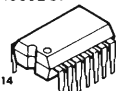
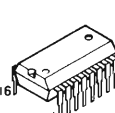


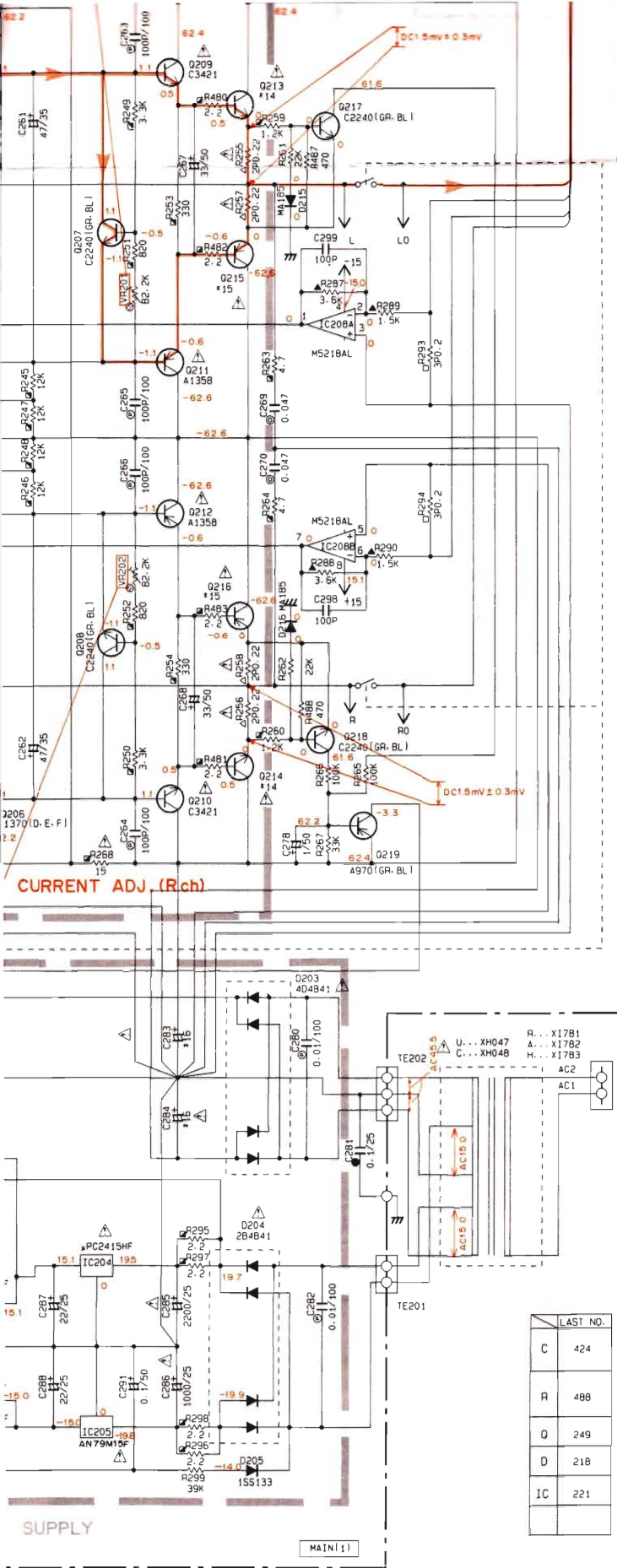
NOTICE
 (J)..... Japanese model
 (U)..... U.S.A model
 (C)..... Canadian model
 (A)..... Australian model
 (G)..... European model
 (B)..... British model
 (P)..... General model
 (R)..... RP model



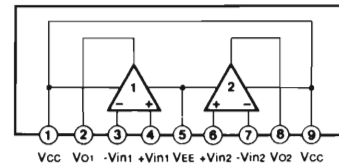
1
2
3
4
5
6



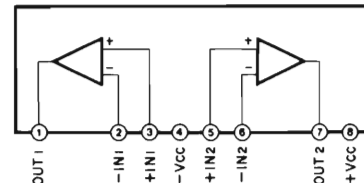
<p>1SS133 MA185 ISR139-100T32 MTZJ12C</p> 	<p>M5218AL</p> 	<p>μPC4570HA NJM4560S</p> 	<p>LC4066B BU4066B MC14066BCP</p> 	<p>M5226P</p> 
--	--	---	---	---



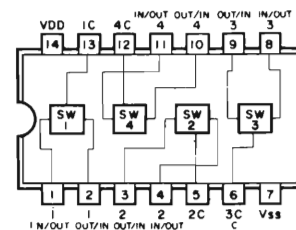
IC201 : μ PC4570HA
IC221 : NJM4560S
Dual Ope-amp



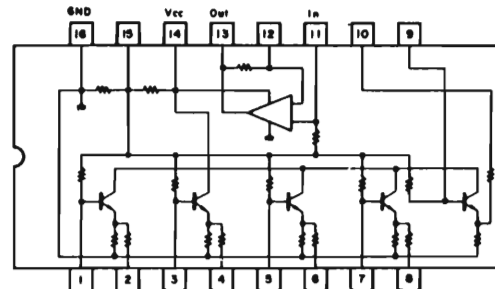
IC202, 208 : M5218AL
Dual Ope-amp



IC203 : LC4066B, MC14066BCP or BU4066B
Quad Bilateral Switch



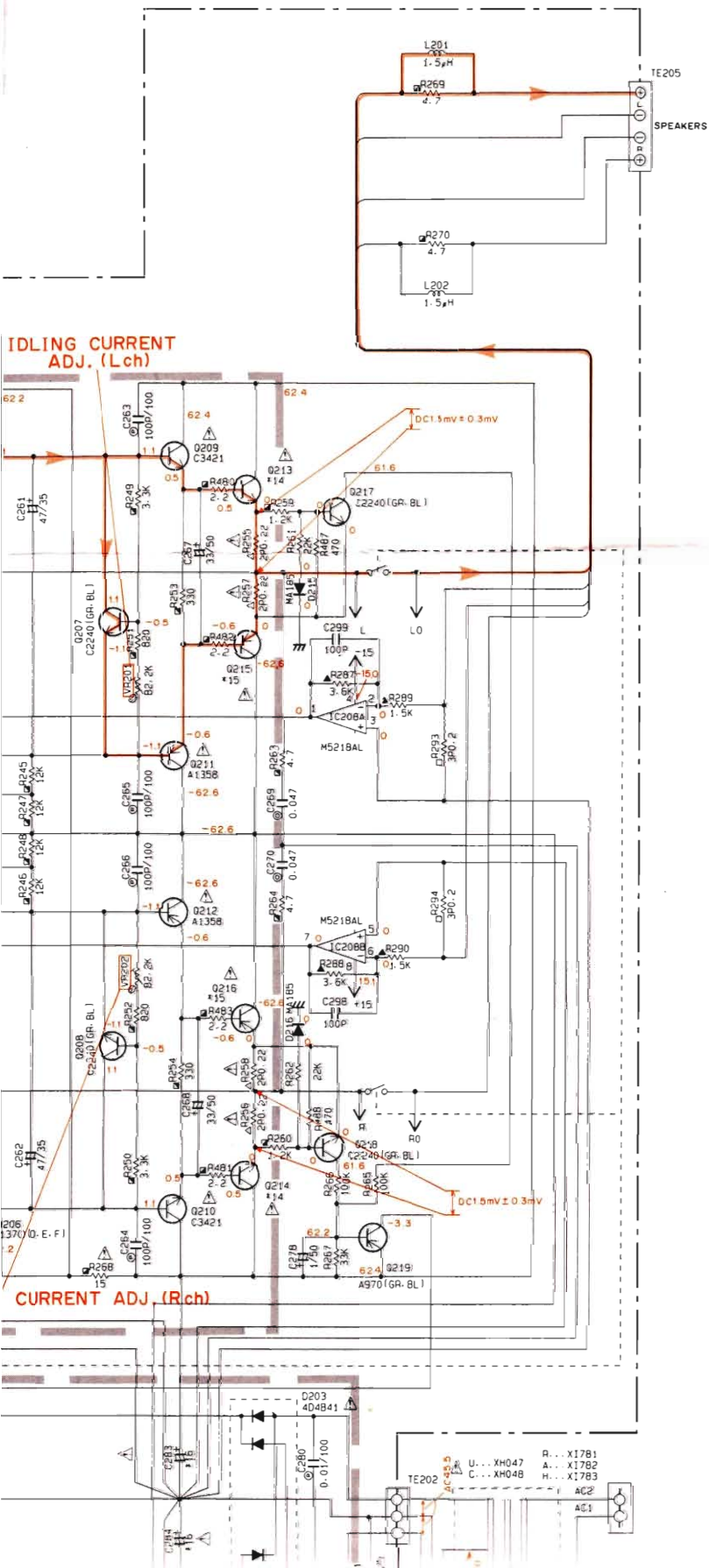
IC219, 220 : M5226P
Wqualizer Amp



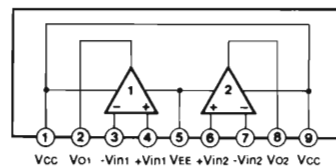
- * All voltage are measured with a 10M Ω /V DC electric volt meter.
- * Components having special characteristics are marked Δ and must be replaced with parts having specifications equal to those originally installed.
- * Schematic diagram is subject to change without notice.

Interchangeable Parts at Manufacture-Stage

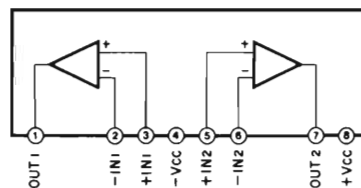
Mark	Reference Parts Number	Parts Name
#1	Q223	2SC1740(S1S-R) 2SC2603(E-F1) 2SC3311A(Q-R-S)



IC201 : μ PC4570HA
IC221 : NJM4560S
Dual Ope-amp



IC202, 208 : M5218AL
Dual Ope-amp



IC203 : LC4066B, MC14066BCP or
BU4066B
Quad Bilateral Switch

PARTS LIST

■ WARNING

AV-80Y

Components having special characteristics are marked \triangle and must be replaced with parts having specifications equal to those originally installed.

● Carbon resistors (1/6W or 1/4W) are not included in the ELECTRICAL PARTS List. For the parts No. of the carbon resistors, refer to P. 29.

■ ELECTRICAL PARTS

Ref. NO.	PART NO.	Description			部 品 名	Remarks	Markets	ランク
	VK461400	MAIN CIRCUIT BOARD			メインシート		U	
	VK461500	MAIN CIRCUIT BOARD			メインシート		C	
	VK461600	MAIN CIRCUIT BOARD			メインシート		R	
	VK461700	MAIN CIRCUIT BOARD			メインシート		A	
	VK461800	MAIN CIRCUIT BOARD			メインシート		H	
	FA153100	MYLAR FILM CAP	1000pF	50V	マイラーコン	C245, 246, 296, 267		
	FA154120	MYLAR FILM CAP	0.012uF	50V	マイラーコン	C219, 220, 229, 230		
	FA154270	MYLAR FILM CAP	0.027uF	50V	マイラーコン	C215, 216		
	FA154470	MYLAR FILM CAP	0.047uF	50V	マイラーコン	C221, 222, 269, 270		
	FA154680	MYLAR FILM CAP	0.068uF	50V	マイラーコン	C308-311		
	FA154820	MYLAR FILM CAP	0.082uF	50V	マイラーコン	C302, 303	UCRA	
	FA154680	MYLAR FILM CAP	0.068uF	50V	マイラーコン	C302, 303	H	
	FA155120	MYLAR FILM CAP	0.12uF	50V	マイラーコン	C312, 313		
	FA155150	MYLAR FILM CAP	0.15uF	50V	マイラーコン	C320, 321, 326, 327		
	FA155270	MYLAR FILM CAP	0.27uF	50V	マイラーコン	C304, 305	UCRA	
	FA155150	MYLAR FILM CAP	0.15uF	50V	マイラーコン	C304, 305	H	
	FA155270	MYLAR FILM CAP	0.27uF	50V	マイラーコン	C322, 323		
	FA155330	MYLAR FILM CAP	0.33uF	50V	マイラーコン	C306, 307	UCRA	
	FA155180	MYLAR FILM CAP	0.18uF	50V	マイラーコン	C306, 307	H	
	FA155330	MYLAR FILM CAP	0.33uF	50V	マイラーコン	C328, 329	UCRA	
	FA155220	MYLAR FILM CAP	0.22uF	50V	マイラーコン	C328, 329	H	
	FA155560	MYLAR FILM CAP	0.56uF	50V	マイラーコン	C316, 317		
	FA155680	MYLAR FILM CAP	0.68uF	50V	マイラーコン	C324, 325		
	FA155560	MYLAR FILM CAP	0.56uF	50V	マイラーコン	C422, 423	UCRA	
	FA155390	MYLAR FILM CAP	0.39uF	50V	マイラーコン	C422, 423	H	
	UT452100	POLYPROPYLENE FILM CAP	100pF	100V	PPコン	C263-266		
	UT454100	POLYPROPYLENE FILM CAP	0.01uF	100V	PPコン	C280, 282		
	FG211100	CERAMIC CAP	10rF	50V	セラコン	C255-258, 419, 420		
	FG211150	CERAMIC CAP	15rF	50V	セラコン	C251-254		
	FG211220	CERAMIC CAP	22rF	50V	セラコン	C334, 335		
	FG211470	CERAMIC CAP	47rF	50V	セラコン	C239, 240		
	FG212100	CERAMIC CAP	100rF	50V	セラコン	C205, 206, 298, 299		
	FG212390	CERAMIC CAP	390pF	50V	セラコン	C231, 232		
	FG213150	CERAMIC CAP	1500pF	50V	セラコン	C249, 250		
	FG213220	CERAMIC CAP	2200pF	50V	セラコン	C227, 228		
	FG213680	CERAMIC CAP	6800pF	50V	セラコン	C223, 224		
	FG244100	CERAMIC CAP	0.01uF	50V	セラコン	C233, 234		
	FG244220	CERAMIC CAP	0.022uF	50V	セラコン	C225, 226		
	UJ818220	ELECTROLYTIC CAP	220uF	6.3V	ケミコン	C292		
	UJ728100	ELECTROLYTIC CAP	100uF	10V	ケミコン	C336, 337		
	UJ737100	ELECTROLYTIC CAP	10uF	16V	ケミコン	C293, 204, 235, 236, 314, 315		
	UJ737100	ELECTROLYTIC CAP	10uF	16V	ケミコン	C414	R	
	UJ837330	ELECTROLYTIC CAP	33uF	16V	ケミコン	C293		
	UJ737470	ELECTROLYTIC CAP	47uF	16V	ケミコン	C241, 242, 332, 333		
	UJ737470	ELECTROLYTIC CAP	47uF	16V	ケミコン	C413	R	
	UJH129100	ELECTROLYTIC CAP	1000uF	10V	ケミコン	C330, 331		
	UJ847220	ELECTROLYTIC CAP	22uF	25V	ケミコン	C243, 244, 287-290		
	UJ747470	ELECTROLYTIC CAP	47uF	25V	ケミコン	C406, 407		
	UJ848100	ELECTROLYTIC CAP	100uF	25V	ケミコン	C294, 295		

*New Parts (新規部品)

ランク : Japan only

Ref. NO.	PART NO.	Description	部 品 名		Remarks	Markets	注
	UJ757470	ELECTROLYTIC CAP	47uF	35V	ケミコン	C259-262	
	UJ865100	ELECTROLYTIC CAP	0.1uF	50V	ケミコン	C291	
	HJ865150	ELECTROLYTIC CAP	0.15uF	50V	ケミコン	C217,218	
	UJ865470	ELECTROLYTIC CAP	0.47uF	50V	ケミコン	C213,214	
	UJ766100	ELECTROLYTIC CAP	1uF	50V	ケミコン	C209,210,278,318,319	
	UJ766220	ELECTROLYTIC CAP	2.2uF	50V	ケミコン	C201,202	
	UJ866470	ELECTROLYTIC CAP	4.7uF	50V	ケミコン	C237,238	
	UJ748470	ELECTROLYTIC CAP	470uF	25V	ケミコン	C412	UCAH
	UH178470	ELECTROLYTIC CAP	470uF	63V	ケミコン	C412	R
	UW888220	ELECTROLYTIC CAP	220uF	80V	ケミコン	C279	
	UJ149100	ELECTROLYTIC CAP	1000uF	25V	ケミコン	C286	
	UJ149220	ELECTROLYTIC CAP	2200uF	25V	ケミコン	C285	
	V1660900	ELECTROLYTIC CAP	8200uF	71V	ケミコン	C283,284	HCRA
	VK574700	ELECTROLYTIC CAP	6800uF	56V	ケミコン	C283,284	H
	HK137100	ELECTROLYTIC CAP	10uF	16V	B P ケミコン	C338	
	UK347330	ELECTROLYTIC CAP	33uF	25V	B P ケミコン	C424	
	V6291100	ELECTROLYTIC CAP	33uF	50V	ケミコン	C247,248,267,268	
	F1514100	CERAMIC CAP	0.01uF	VA-1	スパークキラーコン	C411	UCRA
	F1504100	CERAMIC CAP	0.01uF	VA-1	スパークキラーコン	C411	H
	VD930900	SEMI-CONDUCTIVE CERAMIC CAP	0.1uF	25V	半導体セラコン	C211,212,281	
	GD900470	COIL	1.5uH	RZ-001	空芯コイル	L201,202	
	HV453220	FLAME PROOF CARBON RESISTOR	2.2 Ω	1/4W	不燃化カーボン抵抗	R295-298,391,480-483	
	HV453470	FLAME PROOF CARBON RESISTOR	4.7 Ω	1/4W	不燃化カーボン抵抗	R263,264,269,270	
	HV454100	FLAME PROOF CARBON RESISTOR	10 Ω	1/4W	不燃化カーボン抵抗	R225,226,271,272	
	HV454150	FLAME PROOF CARBON RESISTOR	15 Ω	1/4W	不燃化カーボン抵抗	R268	
	HV454330	FLAME PROOF CARBON RESISTOR	33 Ω	1/4W	不燃化カーボン抵抗	R378,379	
	HV455150	FLAME PROOF CARBON RESISTOR	150 Ω	1/4W	不燃化カーボン抵抗	R227,228	UC
	HV455100	FLAME PROOF CARBON RESISTOR	100 Ω	1/4W	不燃化カーボン抵抗	R227,228	RAH
	HV455270	FLAME PROOF CARBON RESISTOR	270 Ω	1/4W	不燃化カーボン抵抗	R370,375	
	HV455330	FLAME PROOF CARBON RESISTOR	330 Ω	1/4W	不燃化カーボン抵抗	R253,254,368,373	
	HV455820	FLAME PROOF CARBON RESISTOR	820 Ω	1/4W	不燃化カーボン抵抗	R251,252	
	HV456120	FLAME PROOF CARBON RESISTOR	1.2K Ω	1/4W	不燃化カーボン抵抗	R259,260	
	HV456330	FLAME PROOF CARBON RESISTOR	3.3K Ω	1/4W	不燃化カーボン抵抗	R249,250	
	HV457120	FLAME PROOF CARBON RESISTOR	12K Ω	1/4W	不燃化カーボン抵抗	R241-248	
	HH576150	METAL FILM RESISTOR	1.5K Ω	1/4W	金属皮膜抵抗	R289,290	
	HU576360	METAL FILM RESISTOR	3.6K Ω	1/4W	金属皮膜抵抗	R287,288	
	HL322220	METAL OXIDE RESISTOR	0.22 Ω	2W	酸化金属被膜抵抗	R255-258	
	HL326180	METAL OXIDE RESISTOR	1.8K Ω	2W	酸化金属被膜抵抗	R300	UC
	HL326100	METAL OXIDE FILM RESISTOR	1K Ω	2W	酸化金属皮膜抵抗	R300	H
	HL326120	METAL OXIDE RESISTOR	1.2K Ω	2W	酸化金属被膜抵抗	R300	RA
	V1470300	WIRE WOUND RESISTOR	0.2 Ω	3W	セメント抵抗	R203,204	
	XII503A00	IC	uPC2415HF		IC	IC204	
	XB467001	IC	AN79M15F		IC	IC205	
	XII471A00	IC	M5218AL		IC	IC202,208	
	XB247301	IC	uPC4570HA		IC	IC201	
	IG151400	IC	M5226P		IC	IC219,220	
	IG121800	IC	NJM4560S		IC	IC221	
	XFG35A00	IC	AN78M09F		IC	IC206	
	XFG37A00	IC	AN79M09F		IC	IC207	
	XD148A00	IC	BII406GB		IC	IC203	

*New Parts (新規部品)

ランク : Japan only

Ref. NO.	PART NO.	Description	部 品 名	Remarks	Markets	ランク
	V1283000	SLIDE SWITCH	SSSF16	スライドSW	SW201 YST-SELECTOR	
	KC002020	RELAY	DH24D2-OTM	リレー	RY201	UCRA
	VK438300	RELAY	DH24D2-OT(M)-II	リレー	RY201	H
	VD506000	RELAY	AC DG12D1-0(M)	リレー	RY202	
	KB001520	FUSE	7A 125V	ヒューズ	F201	UC
	KB001300	FUSE	T7A 250V	ヒューズ	F201	R
	KB002980	FUSE	T2.5A 250V	ヒューズ	F201	AH
	KB000690	FUSE	T2.5A 250V	ヒューズ	F207	H
	KB003090	FUSE	T3.15A 250V	ヒューズ	F208	R
	LA002000	WRAPPING TERMINAL	2P i-TYPE P=7.5	ラッピング端子	TE201	
	LA002320	WRAPPING TERMINAL	3P i-TYPE P=7.5	ラッピング端子	TE202	
	LA002140	WRAPPING TERMINAL	2P i-TYPE P=10	ラッピング端子	TE203,204	
	VG741000	SPEAKER TERMINAL	4P	スピーカターミナル	TE205	
	V1683800	PIN JACK	1P T6312-CAAD	ピンジャック	PJ203	
	V1683900	PIN JACK	3P T6125-BAAE	ピンジャック	PJ201	
	V1661600	PHONES JACK	M1658-A0AA	ヘッドホンジャック	JK201	
	VE116900	MINI JACK	EX362GL	ミニジャック	JK202	
	V1327500	AC OUTLET		ACアウトレット	JK203	UCR
	V1283100	AC OUTLET	YKE31-0092	ACアウトレット	JK204	H
	VD005200	BASE PIN	PH 9P TE	ベースピン	CB201,202	
	VA725600	HOLDER	6P	パラレルホルダ	CB204,205,207,211	
	VA725700	HOLDER	7P	パラレルホルダ	CB206,212	
	VA725800	HOLDER, WIRE	8P	パラレルホルダ	CB203	
	VA787700	PRE-SET POTENTIOMETER	B2.2K Ω	半固定VR	VR201,202	
	JA101521	TRANSISTOR	2SA1015 Y	トランジスタ	Q224,226,247	
	JA097000	TRANSISTOR	2SA970 GR,BL	トランジスタ	Q219	
	VA854700	TRANSISTOR	2SA1370 D,E,F	トランジスタ	Q205,206	
	IC1815C0	TRANSISTOR	2SC1815 Y	トランジスタ	Q227,229,246	
	IC174070	TRANSISTOR	2SC1740S R,S	トランジスタ	Q223	
	IC224000	TRANSISTOR	2SC2240 GR,BL	トランジスタ	Q201-204,207,208,217,	
	IC224000	TRANSISTOR	2SC2240 GR,BL	トランジスタ	218,220,221	
	IC287800	TRANSISTOR	2SC2878 A,B	トランジスタ	Q244	R
	VE919600	TRANSISTOR	2SC2925 T	トランジスタ	Q222,237,238,248,249	
	VB222700	TRANSISTOR	2SD1485 P,Q,R	トランジスタ	Q232	
	IX608510	TRANSISTOR	2SA1358	トランジスタ	Q245	R
	IX608520	TRANSISTOR	2SC3421	トランジスタ	Q211,212	
	VG722000	DIGITAL TRANSISTOR	DTC144ES	デジタルトランジスタ	Q209,210	
	VH770800	DIODE	1SR139-100 T-32	ダイオード	Q230	
	IF004600	DIODE	1SS133	ダイオード	D210	
	VC398400	DIODE	MA185	ダイオード	D205,213,217,218	
	IH001160	DIODE BRIDGE	4D4B41	ダイオードスタック	D201,202,206,215,216	
	IH000990	DIODE BRIDGE	2B4B41 2A 100V	ダイオードスタック	D203	
	VG440300	ZENER DIODE	MTZJ12C	ツェナーダイオード	D204	
	XG809A00	SUB TRANSFORMER		サブトランス	D212	R
	XC082A00	SUB TRANSFORMER		サブトランス	T201	UC
	XC084A00	SUB TRANSFORMER		サブトランス	T201	R
	LB201880	FUSE HOLDER PIN	PC-FH1	ヒューズホルダピン		AH
	CB644670	CAP, CAPACITOR		コンデンサーカバー		H
	BA092970	RADIATOR		放熱器		

*New Parts (新規部品)

ランク : Japan only

Ref. NO.	PART NO.	Description	部 品 名		Remarks	Markets	ランク
	BB066290	WASHER, GROUND			アースワッシャー		
	BR071360	TERMINAL, SCREW	8.3x13		ネジ端子		
	VF453200	RADIATOR			ラジエータ	C	
	ED330086	BIND HEAD SCREW	3x8	FCRM3-BL	バインド小ネジ		
	EZ001350	CUP B-TITE SCREW	3x14	FCRM3-BL	カップネジBタイト	C	
	VK462100	μ-COM CIRCUIT BOARD			マイコンシート		UCRA
	VK625700	μ-COM CIRCUIT BOARD			マイコンシート		H
	FA153270	MYLAR FILM CAP	2700pF	50V	マイラーコン	C29,31	
	FA154100	MYLAR FILM CAP	0.01uF	50V	マイラーコン	C30,32	
	FG212100	CERAMIC CAP	100pF	50V	セラコン	C36,37	
	FG212220	CERAMIC CAP	220pF	50V	セラコン	C4,5,42	
	FG212470	CERAMIC CAP	470pF	50V	セラコン	C41	
	FG244100	CERAMIC CAP	0.01uF	50V	セラコン	C48	
	FG244470	CERAMIC CAP	0.047uF	50V	セラコン	C56	
	VG279100	CERAMIC CAP	1200pF	16V	円筒セラコン	C43,46	
	VI101300	CERAMIC CAP	0.047uF	50V	円筒セラコン	C44,45	
	UJ817470	ELECTROLYTIC CAP	47uF	6.3V	ケミコン	C3,6	
	UJ719100	ELECTROLYTIC CAP	1000uF	6.3V	ケミコン	C40	
	UJ728100	ELECTROLYTIC CAP	100uF	10V	ケミコン	C1,9	
	UJ837330	ELECTROLYTIC CAP	33uF	16V	ケミコン	C49	
	UJ838470	ELECTROLYTIC CAP	470uF	16V	ケミコン	C57	
	UJ766100	ELECTROLYTIC CAP	1uF	50V	ケミコン	C50	
	UJ866470	ELECTROLYTIC CAP	4.7uF	50V	ケミコン	C28,33-35,38,39	
	UM397220	ELECTROLYTIC CAP	22uF	16V	ケミコン	C52	
	UM416470	ELECTROLYTIC CAP	4.7uF	50V	ケミコン	C51	
	FM116100	ELECTROLYTIC CAP	1uF	50V	B P ケミコン	C47	
	VD930900	SEMI-CONDUCTIVE CERAMIC CAP	0.1uF	25V	半導体セラコン	C53,54	
	IIV454330	FLAME PROOF CARBON RESISTOR	33Ω	1/4W	不燃化カーボン抵抗	R39,46	
	VI660300	RESISTOR ARRAY	100KΩx4		抵抗アレイ	R58	
	VJ660200	RESISTOR ARRAY	100KΩx6		抵抗アレイ	R69	
	XG938A00	IC	RA15218N		IC	IC1	
	IG076800	IC	NJM4558S		IC	IC2	
	XD148A00	IC	BU406GB		IC	IC3-6	
	XA549001	IC	LB1294		IC	IC11	
	XA552001	IC	BA6144		IC	IC9	
	IG152500	IC	BA6229		IC	IC8	
	XH076A00	IC	LC6505C-4277		IC	IC10	
	VF989900	LIGHT DETECTING MODULE	GP1U521Y		リモコン受光ユニット	U1	
	KA906380	PUSH SWITCH			プッシュSW	SW2-7 IMP.SELECTOR	
	KA804550	PUSH SWITCH			プッシュスイッチ	SW8 POWER	
	LB202270	PIN JACK	2P		ピンジャック	PJ3	
	LB401040	PIN JACK	4P	T5858-A	ピンジャック	PJ7	
	LB401050	PIN JACK	4P		ピンジャック	PJ1	

*New Parts (新規部品)

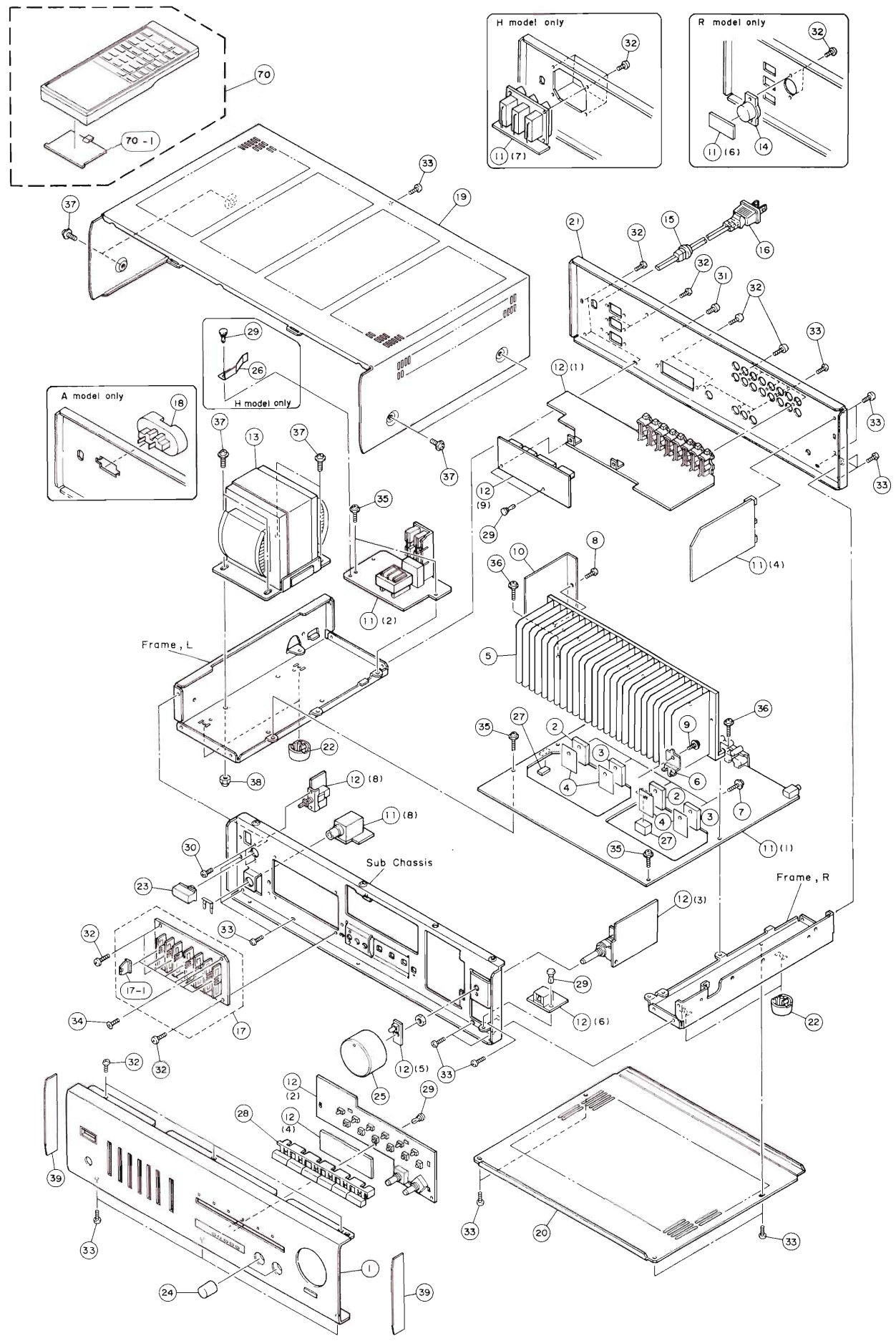
ランク : Japan only

Ref. NO.	PART NO.	Description	部 品 名	Remarks	Markets	ランク
	LB606090	PIN JACK	T5916-A	ピンジャック	PJ2	
	VA826700	SOCKET	6P	ジャンパーソケット	CB11	
	VA826900	SOCKET	8P	ジャンパーソケット	CB2,14	
	VD004600	BASE PIN	PH 3P TE	ベースピン	CB3,5,8,19,21,22	
	V1583600	CERAMIC RESONATOR	400K	セラミック振動子	XL1	
	V1136900	POTENTIOMETER	B50K Ω x2	二連ロータリーV R	VR1 LOUDNESS	
	V1137000	POTENTIOMETER	B1150K Ω	二連ロータリーV R	VR2 BALANCE	
	V1660400	POTENTIOMETER WITH MOTOR	Y100K Ω x2	モーター付V R	VR3 VOLUME	
	VA725400	HOLDER	4P	パラレルホルダ	CB15,16	
	VA725600	HOLDER	6P	パラレルホルダ	CB17	
	VA725800	HOLDER, WIRE	8P	パラレルホルダ	CB18	
	IA101521	TRANSISTOR	2SA1015 Y	トランジスタ	Q10	
	IC206000	TRANSISTOR	2SC2060 P,Q,R	トランジスタ	Q9	
	IC287800	TRANSISTOR	2SC2878 A,B	トランジスタ	Q2,3	
	IC174070	TRANSISTOR	2SC1740S R,S	トランジスタ	Q11,12	H
	VD678500	DIGITAL TRANSISTOR	DTA114ES	デジタルトランジスタ	Q7	
	VD678700	DIGITAL TRANSISTOR	DTC114ES	デジタルトランジスタ	Q4,5	
	1F004600	DIODE	1SS133	ダイオード	D1,2,7,18,19,23,24	
	VG437600	ZENER DIODE	MTZJ5.6A	ツェナーダイオード	D6	
	VG437700	ZENER DIODE	MTZJ5.6B	ツェナーダイオード	D3	
	VF402500	LED	SLR-34DC3H3 (ORA)	L E D	D8,10,16,17	
	V11293600	LED	SLR-55DC3H (ORA)	L E D	D20	
	V1013600	LED	SLR-34VC3H3 (RED)	L E D	D5,9,11-15	
	V1013600	LED	SLR-34VC3H3 (RED)	L E D	D22	H
	BB071360	TERMINAL, SCREW	8.3x13	ネジ端子		
	CB091290	P.C.B SUPPORT	NO.1645	基板サポート		

*New Parts (新規部品)

ランク : Japan only

EXPLODED VIEW



MECHANISM PARTS

Note) Ø : Diameter

Ref. NO.	PART NO.	Description	部 品 名	Remarks	Markets	ランク
1	VK461200	PANEL UNIT	パネルユニット	BL	UCRA	
1	VK461300	PANEL UNIT	パネルユニット	T	UCRA	
1	VK967800	PANEL UNIT	パネルユニット	BL	H	
1	VK967900	PANEL UNIT	パネルユニット	T	H	
2	IX611021	TRANSISTOR	2SB1347 トランジスタ	Q215, 216	UCRA	△
2	IX609730	TRANSISTOR	2SA1491 トランジスタ	Q215, 216	H	△
3	IX611031	TRANSISTOR	2SD2029 トランジスタ	Q213, 214	UCRA	△
3	IX609740	TRANSISTOR	2SC3855 トランジスタ	Q213, 214	H	△
4	VK195900	SHEET	19x24 シート			
5	VK636300	RADIATOR	ラジエータ			
6	VF545900	SUPPORT	サポート			
7	VK173200	SCREW, TRANSISTOR	スクリューTR			
8	FX601250	BIND HEAD TAP TYTE SCREW	3x8 バインドBタイトネジ			
9	EK330030	BW HEAD TAPPING SCREW	3x10-8 FCRM3-BL BWヘッドタッピングネジ			
10	VI632700	SHIELD PLATE	シールドプレート			
11	VK461400	MAIN CIRCUIT BOARD	メインシート		U	
11	VK461500	MAIN CIRCUIT BOARD	メインシート		C	
11	VK461600	MAIN CIRCUIT BOARD	メインシート		R	
11	VK461700	MAIN CIRCUIT BOARD	メインシート		A	
11	VK461800	MAIN CIRCUIT BOARD	メインシート		H	
12	VK462100	μ-COM CIRCUIT BOARD	マイコンシート		UCRA	
12	VK625700	μ-COM CIRCUIT BOARD	マイコンシート		H	
13	XH047A00	POWER TRANSFORMER	電源トランス		U	△
13	XH048A00	POWER TRANSFORMER	電源トランス		C	△
13	X1781A00	POWER TRANSFORMER	電源トランス		R	△
13	X1782A00	POWER TRANSFORMER	電源トランス		A	△
13	X1783A00	POWER TRANSFORMER	電源トランス		H	△
14	VA932900	VOLTAGE SELECTOR	ESE-37226 電圧切替器		R	△
15	CB620200	CORD STOPPER	CM-22C コードストッパー		UC	
15	CB620190	CORD STOPPER	CM-22B コードストッパー		RAH	
16	HG002220	POWER CORD	10A 電源コード		UC	△
16	VE371000	POWER CORD	6A 2.0m 電源コード		R	△
16	HG002310	POWER CORD	7.5A 電源コード		A	△
16	HG002320	POWER CORD	2.5A 電源コード		H	△
17	VE299000	SLIDE POTENTIOMETER BLOCK	B250K Ωx7 スライドVRブロック	BL		
17	VK436800	SLIDE POTENTIOMETER BLOCK	B250K Ωx7 スライドVRブロック	T		
17-1	CX603580	NOB	ノブ	BL		
17-1	CX617430	KNOB	ノブ	T		
17-2	CX603590	MAKER	マーカー			
18	VC626100	AC OUTLET	S2-739T 電源コネクタ		A	△
19	VI207500	TOP COVER	トップカバー	T		
19	VI207600	TOP COVER	トップカバー	BL		
20	VI209900	BOTTOM COVER	ボトムカバー			
21	VK428900	REAR PANEL	リヤパネル		U	
21	VK429000	REAR PANEL	リヤパネル		C	
21	VK429100	REAR PANEL	リヤパネル		R	
21	VK429200	REAR PANEL	リヤパネル		A	
21	VK429700	REAR PANEL	リヤパネル		H	
22	CB610390	LEG	トランレグ			
23	VH842000	BUTTON	ボタン	T POWER		

*New Parts (新規部品)

ランク : Japan only

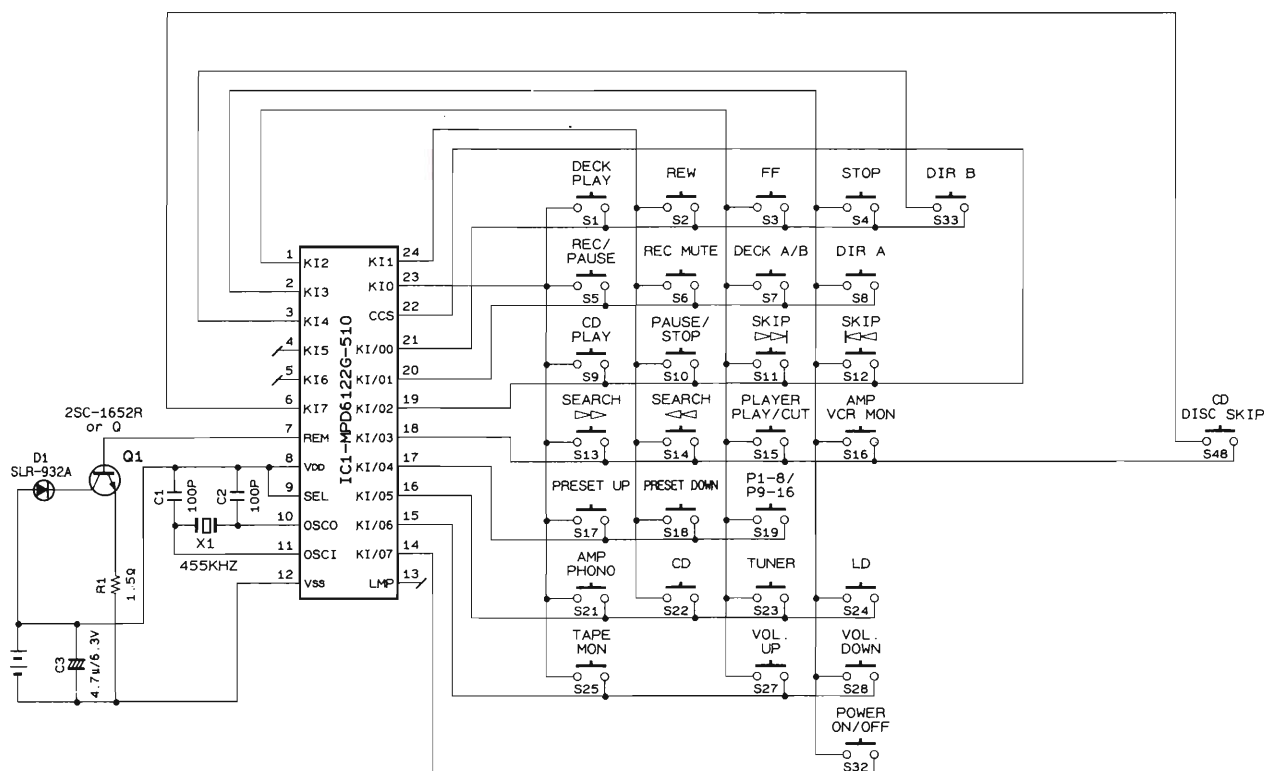
Ref. NO.	PART NO.	Description	部 品 名		Remarks	Markets	ランク
23	VH841900	BUTTON		ボタン	BL POWER		
24	VI211200	KNOB		ノブ	T BALANCE, LOUDNESS		
24	VI211300	KNOB		ノブ	BL BALANCE, LOUDNESS		
25	VI051300	KNOB	LED	ノブ	T VOLUME		
25	VI051200	KNOB	LED	ノブ	BL VOLUME		
26	VF992300	STOPPER		ストッパ		H	
27	VF201500	DAMPER		ダンパー			
28	VI210800	BUTTON	6P	ボタン	T INP. SELECTOR		
28	VI210900	BUTTON	6P	ボタン	BL INP. SELECTOR		
29	CB068880	PLASTIC RIVET	#1027	ブラリベット			
30	ED330066	BIND HEAD SCREW	3x6	FCRM3-BL	バインド小ネジ		
31	EX601890	BIND HEAD BONDING SCREW	3x6	FCRM3-BL	ボンディング小ネジ		
32	E1330086	BIND HEAD TAPPING SCREW	3x8	FCRM3-BL	バインドタッピングネジ		
33	EN340020	BIND HEAD BONDING TAP. SCREW	3x8	FCRM3-BL	ボンディングBタイトネジ		
34	E0330086	FLAT HEAD TAPPING SCREW	3x8	FCRM3-BL	皿タッピングネジ		
35	EK336010	BW HEAD TAPPING SCREW	3x8	FCM3	BWタッピングネジ		
36	EK330030	BW HEAD TAPPING SCREW	3x10-8	FCM3-BL	BWヘッドタッピングネジ		
37	EK365040	BW HEAD S-TITE SCREW	4x8-10	FCM3-BL	BWヘッドSタイトネジ	T	
37	EK365090	BW HEAD S-TITE SCREW	4x8-10	ZMC2-BL	BWヘッドSタイトネジ	BL	
38	EX601580	HEXAGONAL BLIND NUT	M4	FCRM3-BL	六角袋ナット		
39	VJ078800	PLATE SIDE		プレート/サイド	BL		
39	VJ078900	PLATE SIDE		プレート/サイド	T		
	CB069250	BINDING TIE	BK-1	束縛止め			
70	VX843700	REMOTE CONTROL TRANSMITTER		リモコントランスミッター			
70-1	CX607200	LID DRY CELL	SUH-4, AAA, R03	電池蓋 マンガン電池			

*New Parts (新規部品)

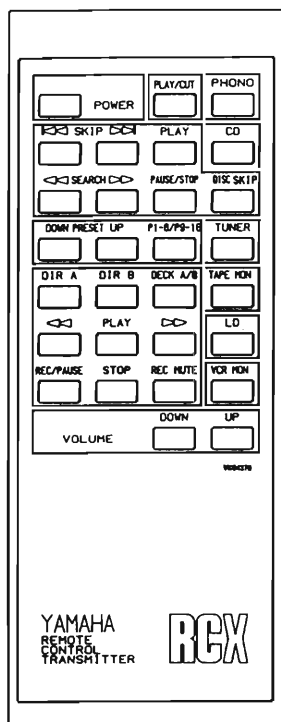
ランク : Japan only

REMOTE CONTROL TRANSMITTER

■ SCHEMATIC DIAGRAM



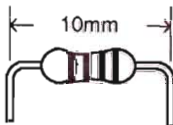
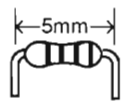
CUSTOM CODE C0 C1 C2 C3 C4 C5 C6 C7
0 1 0 1 1 1 1 0



KEY No.	DATA CODE								FUNCTION
	D0	D1	D2	D3	D4	D5	D6	D7	
1	0	0	0	0	0	0	0	0	TAPE PLAY
2	1	0	0	0	0	0	0	0	REW
3	0	1	0	0	0	0	0	0	FF
4	1	1	0	0	0	0	0	0	STOP
5	0	0	1	0	0	0	0	0	REC/PAUSE
6	1	0	1	0	0	0	0	0	REC MUTE
7	0	1	1	0	0	0	0	0	DECK A/B
8	1	1	1	0	0	0	0	0	DIR A
9	0	0	0	1	0	0	0	0	CD PLAY
10	1	0	0	1	0	0	0	0	PAUSE/STOP
11	0	1	0	1	0	0	0	0	SKIP ►►
12	1	1	0	1	0	0	0	0	SKIP ◄◄
13	0	0	1	1	0	0	0	0	SEARCH ►►
14	1	0	1	1	0	0	0	0	SEARCH ◄◄
15	0	1	1	1	0	0	0	0	PLAYER PLAY/CUT
16	1	1	1	1	0	0	0	0	AMP VCR MON
17	0	0	0	0	1	0	0	0	TUNER PRESET UP
18	1	0	0	0	1	0	0	0	TUNER PRESET DOWN
19	0	1	0	0	1	0	0	0	TUNER P1-8/P9-16
21	0	0	1	0	1	0	0	0	AMP PHONO
22	1	0	1	0	1	0	0	0	CD
23	0	1	1	0	1	0	0	0	TUNER
24	1	1	1	0	1	0	0	0	LD
25	0	0	0	1	1	0	0	0	TAPE MON
27	0	1	0	1	1	0	0	0	VOL. UP
28	1	1	0	1	1	0	0	0	VOL. DOWN
32	1	1	1	1	1	0	0	0	POWER ON/OFF
33	0	0	0	0	0	0	1	0	TAPE DIR B
48	1	1	1	1	0	0	1	0	CD DISC SKIP

Parts List for Carbon Resistors

Value	1/4W Type Part No.	1/6W Type Part No.	Value	1/4W Type Part No.	1/6W Type Part No.
1.0 Ω	HJ35 3100	HF853100	12 KΩ	HJ35 7120	HF85 7120
1.8 Ω	HJ35 3180	*	15 KΩ	HJ35 7150	HF85 7150
2.2 Ω	HJ35 3220	HF853220	18 KΩ	HJ35 7180	HF85 7180
3.3 Ω	HJ35 3330	HF853330	22 KΩ	HJ35 7220	HF85 7220
4.7 Ω	HJ35 3470	HF853470	27 KΩ	HJ35 7270	HF85 7270
5.6 Ω	HJ35 3560	HF853560	33 KΩ	HJ35 7330	HF85 7330
10 Ω	HJ35 4100	HF854100	39 KΩ	HJ35 7390	HF85 7390
15 Ω	HJ35 4150	HF854150	47 KΩ	HJ35 7470	HF85 7470
22 Ω	HJ35 4220	HF854220	56 KΩ	HJ35 7560	HF85 7560
27 Ω	HJ35 4270	HF854270	68 KΩ	HJ35 7680	HF85 7680
33 Ω	HJ35 4330	HF854330	82 KΩ	HJ35 7820	HF85 7820
39 Ω	HJ35 4390	HF854390	91 KΩ	HJ35 7910	HF85 7910
47 Ω	HJ35 4470	HF854470	100 KΩ	HJ35 8100	HF85 8100
56 Ω	HJ35 4560	HF854560	120 KΩ	HJ35 8120	HF85 8120
68 Ω	HJ35 4680	HF854680	150 KΩ	HJ35 8150	HF85 8150
82 Ω	HJ35 4820	HF854820	180 KΩ	HJ35 8180	HF85 8180
100 Ω	HJ35 5100	HF855100	220 KΩ	HJ35 8220	HF85 8220
110 Ω	HJ35 5110	HF855110	270 KΩ	HJ35 8270	HF85 8270
120 Ω	HJ35 5120	HF855120	330 KΩ	HJ35 8330	HF85 8330
150 Ω	HJ35 5150	HF855150	390 KΩ	HJ35 8390	HF85 8390
160 Ω	HJ35 5160	*	470 KΩ	HJ35 8470	HF85 8470
180 Ω	HJ35 5180	HF855180	560 KΩ	HJ35 8560	HF85 8560
220 Ω	HJ35 5220	HF855220	680 KΩ	HJ35 8680	HF85 8680
270 Ω	HJ35 5270	HF855270	820 KΩ	HJ35 8820	HF85 8820
330 Ω	HJ35 5330	HF855330	1.0 MΩ	HJ35 9100	HF85 9100
390 Ω	HJ35 5390	HF855390	1.2 MΩ	HJ35 9120	*
470 Ω	HJ35 5470	HF855470	1.5 MΩ	HJ35 9150	HF85 9150
510 Ω	*	HF855510	1.8 MΩ	HJ35 9180	HF85 9180
560 Ω	HJ35 5560	HF855560	2.2 MΩ	HJ35 9220	HF85 9220
680 Ω	HJ35 5680	HF855680	3.3 MΩ	HJ35 9330	HF85 9330
820 Ω	HJ35 5820	HF855820	3.9 MΩ	HJ35 9390	*
910 Ω	HJ35 5910	HF855910	4.7 MΩ	HJ35 9470	HF85 9470
1.0 KΩ	HJ35 6100	HF85 6100			
1.2 KΩ	HJ35 6120	HF85 6120			
1.5 KΩ	HJ35 6150	HF85 6150			
1.8 KΩ	HJ35 6180	HF85 6180			
2.0 KΩ	HJ35 6200	HF85 6200			
2.2 KΩ	HJ35 6220	HF85 6220			
2.4 KΩ	HJ35 6240	HF85 6240			
2.7 KΩ	HJ35 6270	HF85 6270			
3.0 KΩ	HJ35 6300	HF85 6300			
3.3 KΩ	HJ35 6330	HF85 6330			
3.6 KΩ	HJ35 6360	HF85 6360			
3.9 KΩ	HJ35 6390	HF85 6390			
4.7 KΩ	HJ35 6470	HF85 6470			
5.1 KΩ	HJ35 6510	HF85 6510			
5.6 KΩ	HJ35 6560	HF85 6560			
6.8 KΩ	HJ35 6680	HF85 6680			
8.2 KΩ	HJ35 6820	HF85 6820			
9.1 KΩ	HJ35 6910	HF85 6910			
10 KΩ	HJ35 7100	HF85 7100			

1/4W Type	1/6W Type
HJ35 ○○○○	HF85 ○○○○
	

TECHNICAL BULLETIN

YAMAHA ELECTRONICS CORPORATION, USA

Number: 154H
Effective Date: May 14, 1993

MODEL: AV-80Y
SERIAL NUMBERS AFFECTED: All
FUNCTIONS AFFECTED: YST Amplifier Operation

TYPE OF CHANGE		
MANDATORY	OPTIONAL	FOR INFO ONLY
<input checked="" type="checkbox"/>	<input type="checkbox"/>	<input type="checkbox"/>

SYMPTOM: No output in YST modes only, OK in NORMAL (YST switch is on the rear panel), OR output offset in excess of 100 mV in YST modes only which causes a "pop" in the loudspeakers when the protection relay opens or closes.

CAUSE: C294 and/or C295 are getting leaky because a reverse voltage is applied across them after the unit is turned off (for about five to ten minutes).

SOLUTION: Replace C294 and C295 with a 100 ufd. 25 Volt non-polar capacitor (part # UK748100) any time the unit is brought in for service.

NOTE: Be sure to discharge the main filter capacitors (C283 & C284) before replacing C294 and C295.